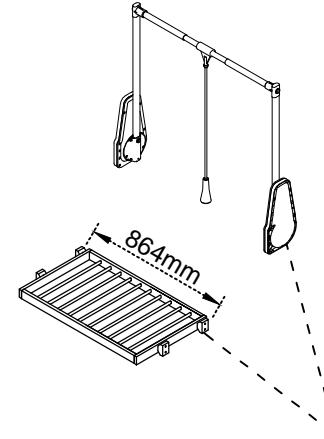
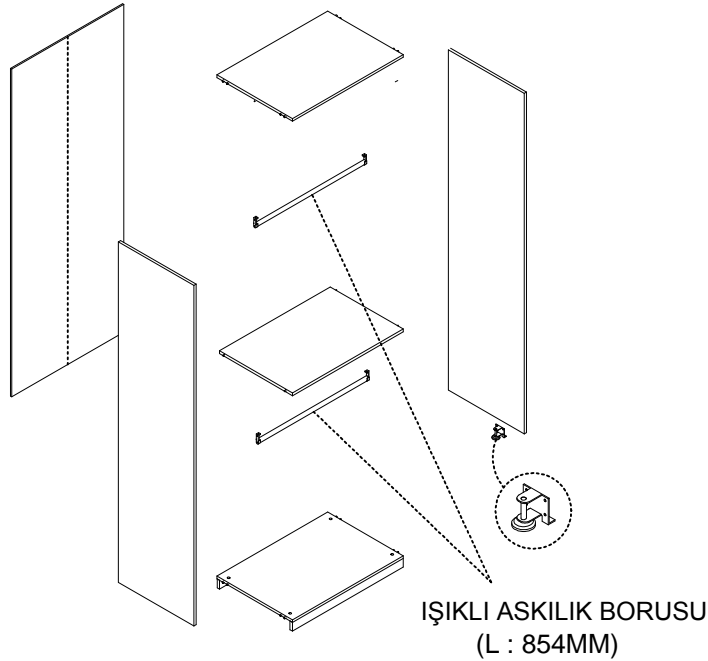
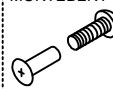










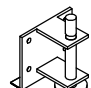


2ASTO01GVD671803	SAG YAN TABLA K(2306*596) N(2300*590) 18 MM NAVARRO SUNTALAM
2ASTO01GVD671804	SOL YAN TABLA K(2306*596) N(2300*590) 18 MM NAVARRO SUNTALAM
2ASTO01GVD671801	ÜST TABLA K(870*596) N(864*590) 18 MM NAVARRO SUNTALAM
2ASTO01GVD671802	ALT TABLA K(870*596) N(864*590) 18 MM NAVARRO SUNTALAM
2ASTO01GVD671813	SABİT RAF K(870*575) N(864*569) 18 MM NAVARRO SUNTALAM
2ASTO01GVD671817	ÖN ARKA BAZA K(870*134) N(864*60) 18 MM NAVARRO SUNTALAM
2ASTO01GVD671816	ARKALIK K(2213*436) N(2213*436) 8 MM NAVARRO SUNTALAM

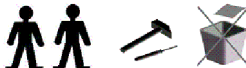


ASANSÖR ASKI VE PANTOLONLUK
OPSİYONEL MALZEMELERDİR.

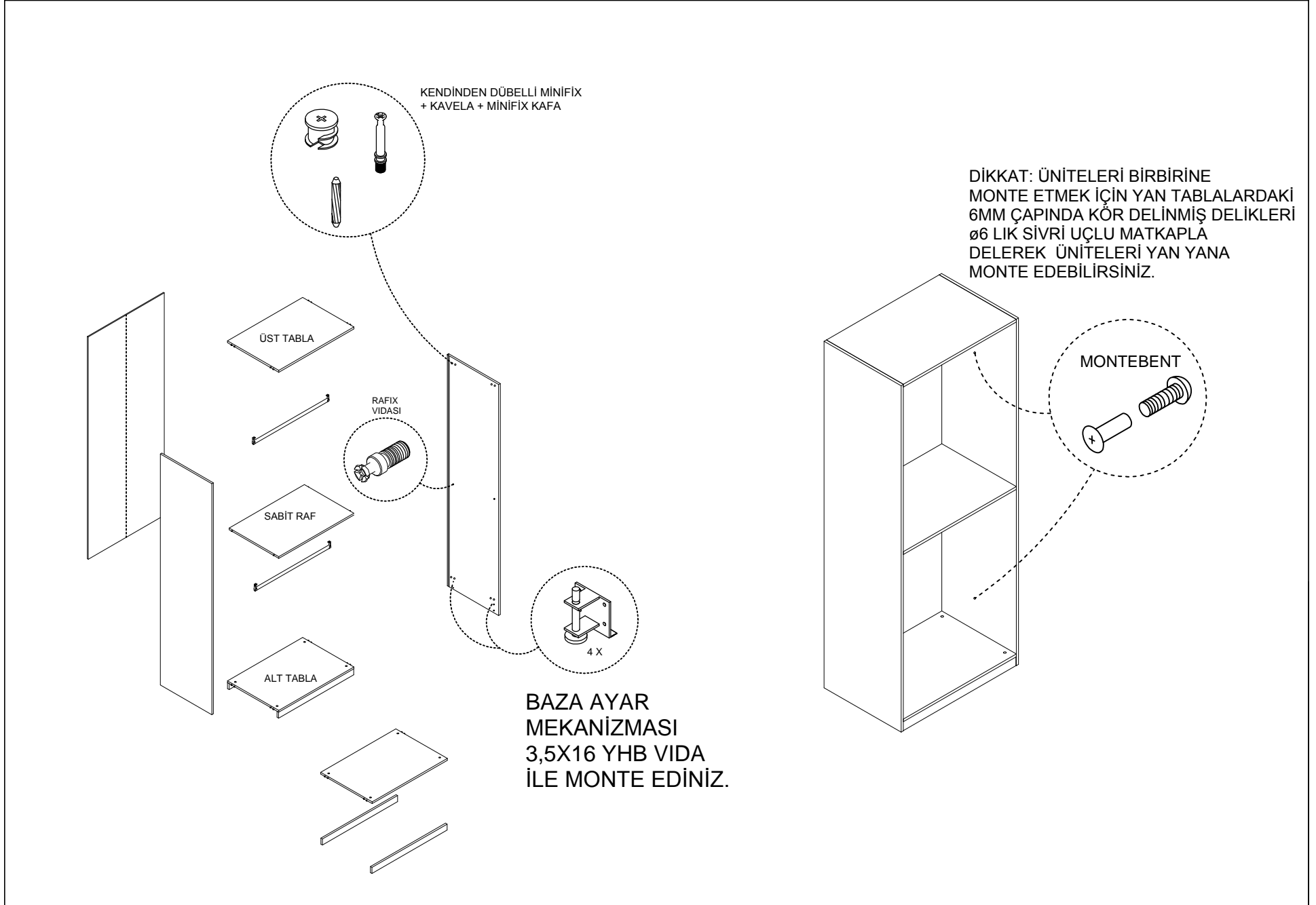
MONTEBENT		
		
2 X	5X80 1 X	3,5X16 34 X

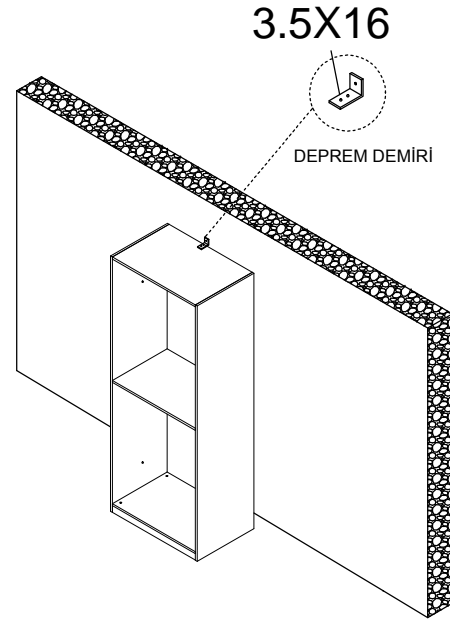
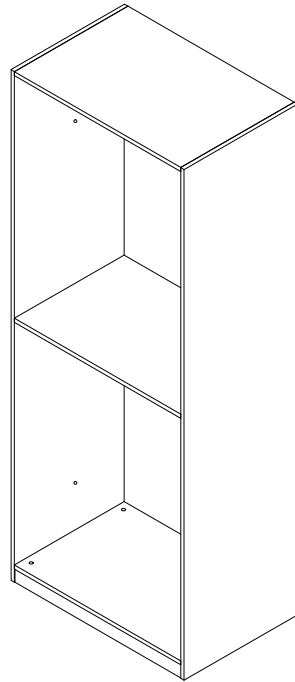
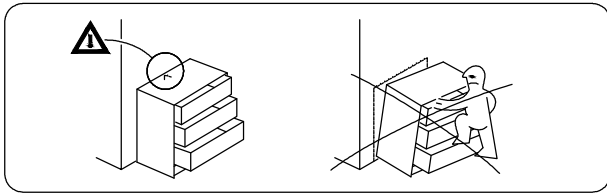
								
1 X	DEPREM DEMİRİ 1 X	20 X	8 X	14 X	14 X	4 X	4 X	4 X

444 6 999
Toll-free information free only
for domestic calls-Türkiye



PLEASE RETAIN THE LABEL INFORMATION ON THE PACKAGES. DO NOT START ASSEMBLY IF THERE ARE ANY MISSING ITEMS IN THE PACKAGE.
THE MANUFACTURER IS NOT RESPONSIBLE FOR ANY DAMAGES THAT MAY BE INCURRED DURING THE ASSEMBLY PROCESS AND LATER ON DUE TO THE MISUSE OF BUYERS.
KOLİ ÜZERİNDEKİ ETİKET BİLGİLERİNİ SAĞLAYINIZ.KOLİ ÜZERİNDE EKİŞİK PARÇALAR SA, LÜTFEN MONTAJA BAŞLAYINIZ.
MONTAJ ESNASINDA VE DAMASINRA KULLANICI HATALARINDAN DOĞUCAK HASARLARDA ÜRETİCİ FİRMA SORUMLU DEĞİLDİR.





5X80+DÜBEL
5X80+dowel

