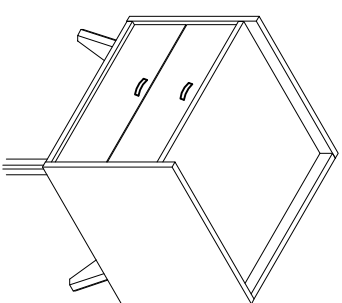
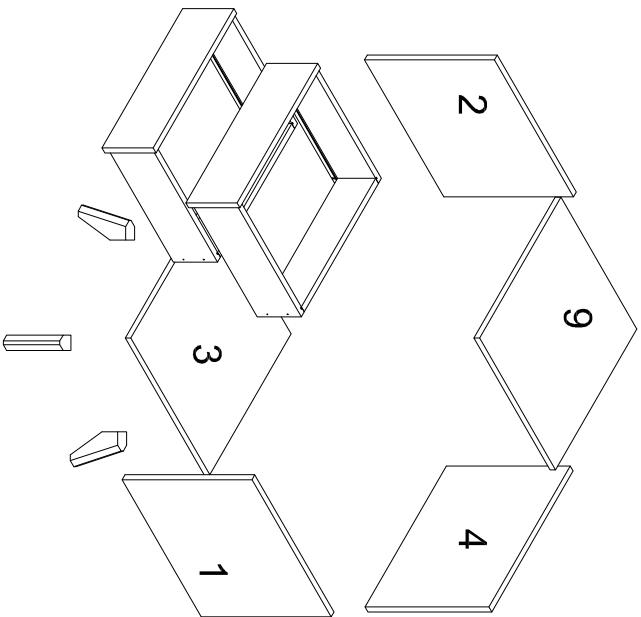


NO	KOD/CODE	PARÇA ADI	NAME	ADET/PIECE	KUTU/BOX
1	ZAST001KMD671803	SAG YAN TABLA	END PANEL -RIGHT	1	2
2	ZAST001KMD671804	SOL YAN TABLA	END PANEL -LEFT	1	2
3	ZAST001KMD673902	CATILMIS ALT TABLA	MOUNTED BOTTOM PANEL	1	2
4	ZAST001KMD671816	ARKALIK	BACK PANEL	1	2
5	ZAST001KMD671828	CEKMECE KLAPASI	DRAWER FRONT	2	2
6	ZAST001KMD671823	CEKMECE SAG YAN	DRAWER BOX RIGHT SIDE	2	2
7	ZAST001KMD671824	CEKMECE SOL YAN	DRAWER BOX LEFT SIDE	2	2
8	ZAST001KMD671834	CEKMECE ARKALIK	DRAWER BACK PANEL	2	2
9	ZAST001KMD672801	UST TABLA	TOP PANEL	1	2
10	ZAST001KMD671833	CEKMECE TABANI	DRAWER BASE	2	2

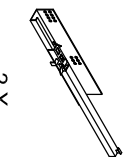
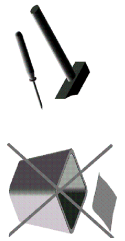


PLEASE RETAIN THE LABEL INFORMATION ON THE PACKAGES. DO NOT START ASSEMBLY IF THERE ARE ANY MISSING ITEMS IN THE PACKAGE.
THE MANUFACTURER IS NOT RESPONSIBLE FOR ANY DAMAGES THAT MAY BE INCURRED DURING THE ASSEMBLY PROCESS AND LATER ON DUE TO THE MISUSE OF BUYERS.
KOLLUZERİNDEKİ ETİKET BİLGİLERİNİ SAKLAYINIZ KOLLUÇERİNİNDE EKŞİK PARÇAYI WARSAYIN. ÜFTEN MONTAJA BAŞLAYINIZ.
MONTAJESİNİNDA VE DAHA SONRA KULLANICI HATLARINDAN DOĞRUK HASARLARDA ÜRETİCİ FİRMA SORUMLU DEĞİLDİR.



444 6 999

Toll-free information line only
for domestic calls-Türkiye



2 X

2 X



4 X



2 X



2 X



14 X



2 X



4 X



18 X



18 X

	M4x22		4x25		3.5x16		3.5x35		M6x80		M6,3x13,5
4 X		4 X		2 X		8 X		8 X		8 X	

