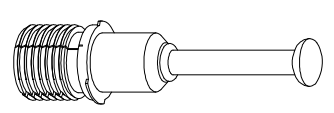


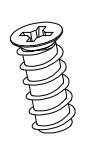
Q-24X



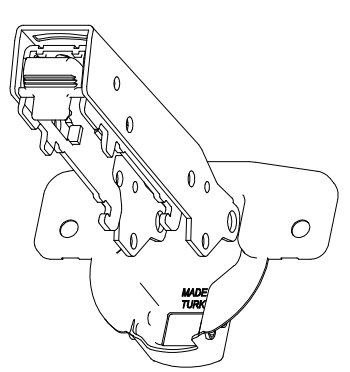
b-24X



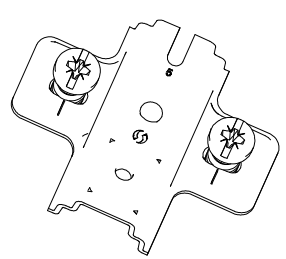
C-24X



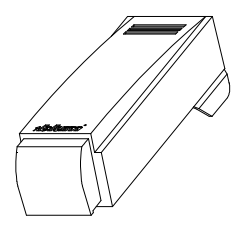
d-8X



e-4X

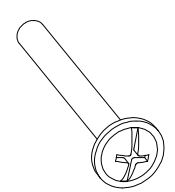


f-4X

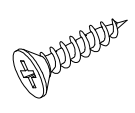


g-4X

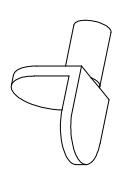
I-2X



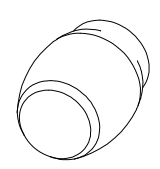
j-4X



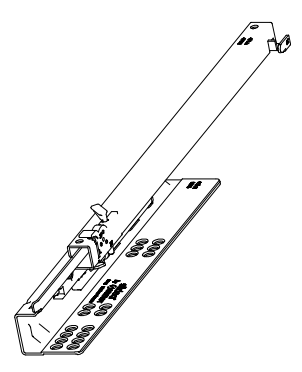
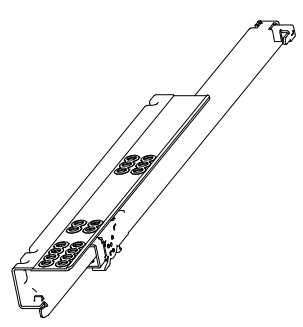
k-8X

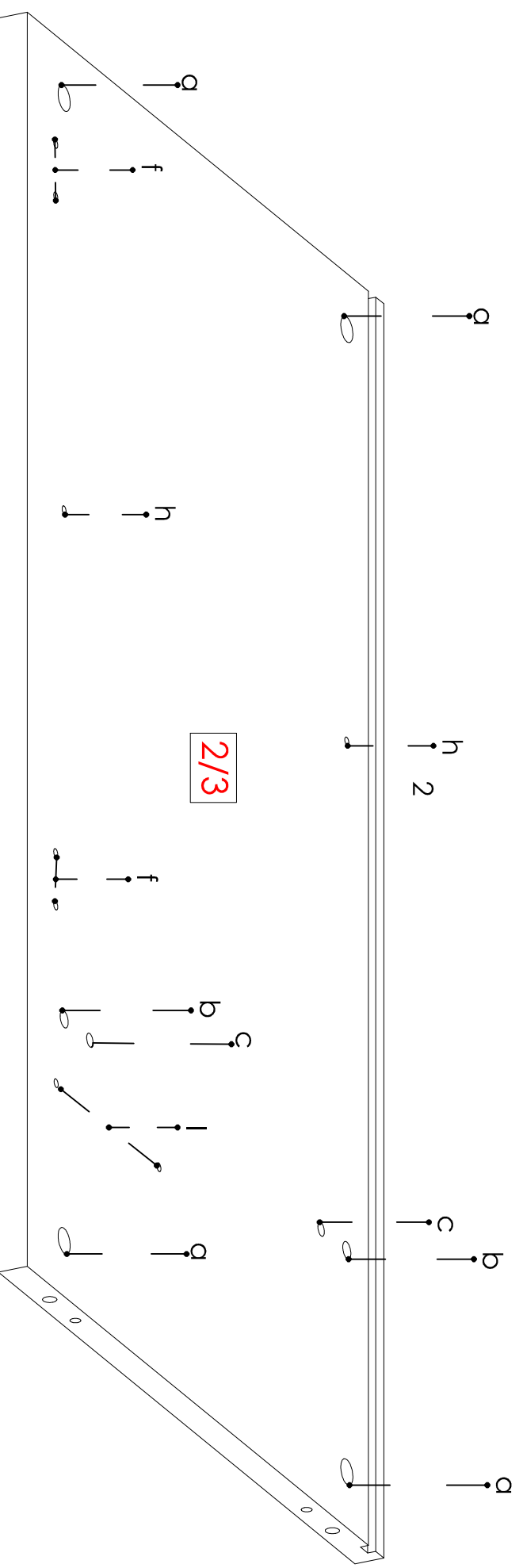
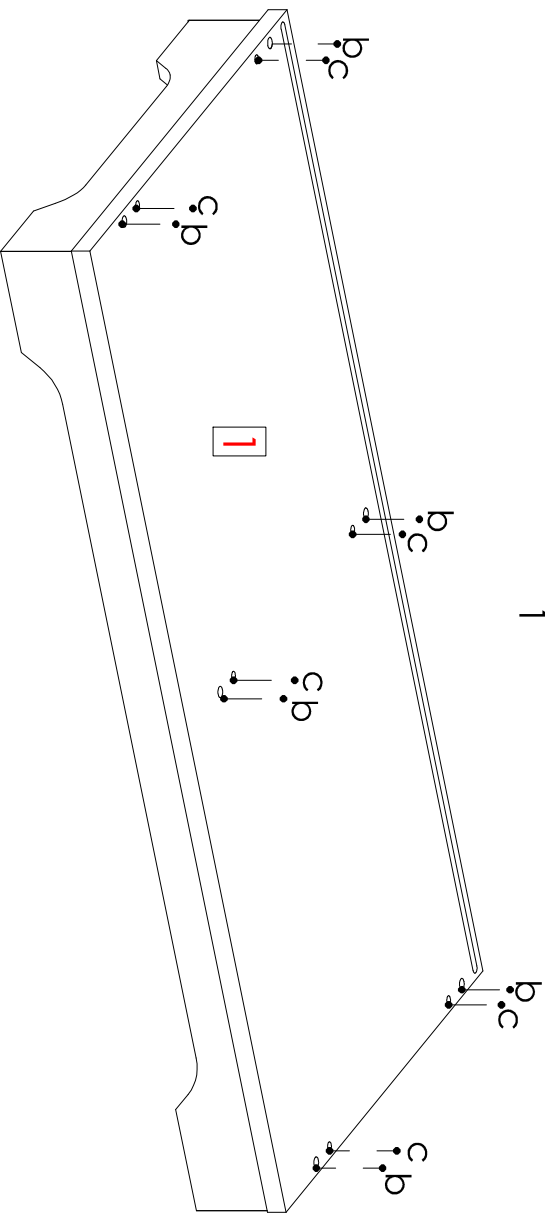


h-8X

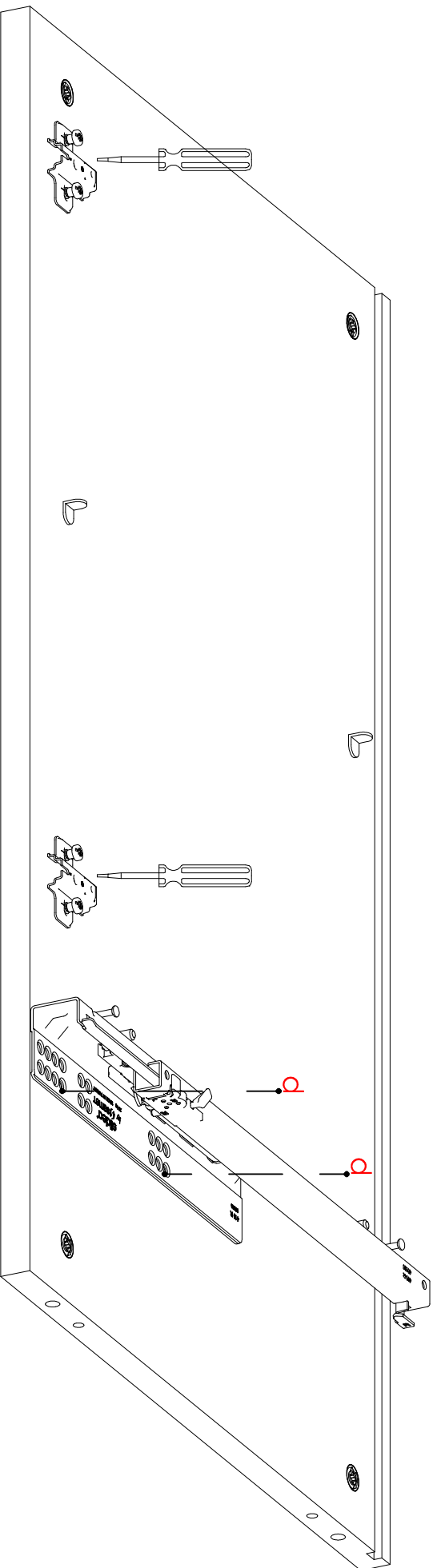


i-4X

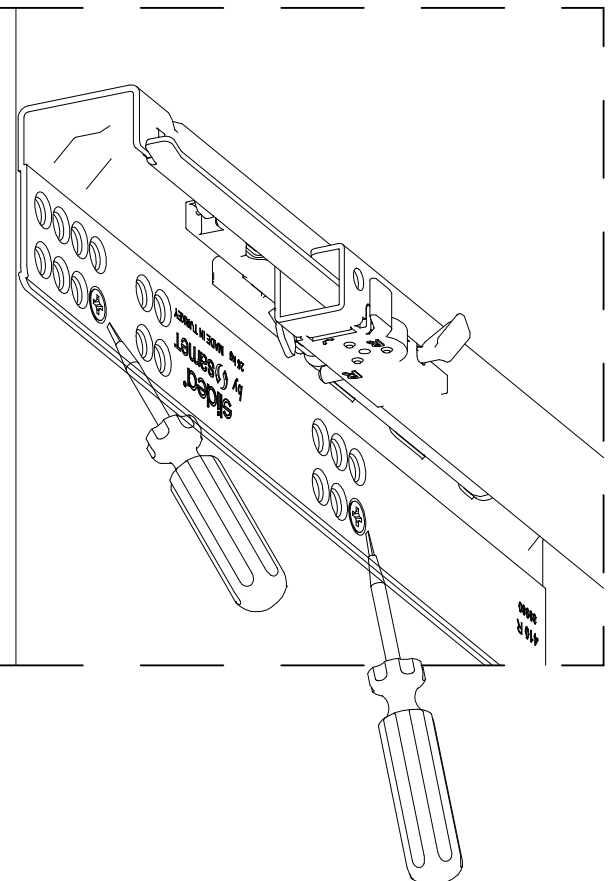


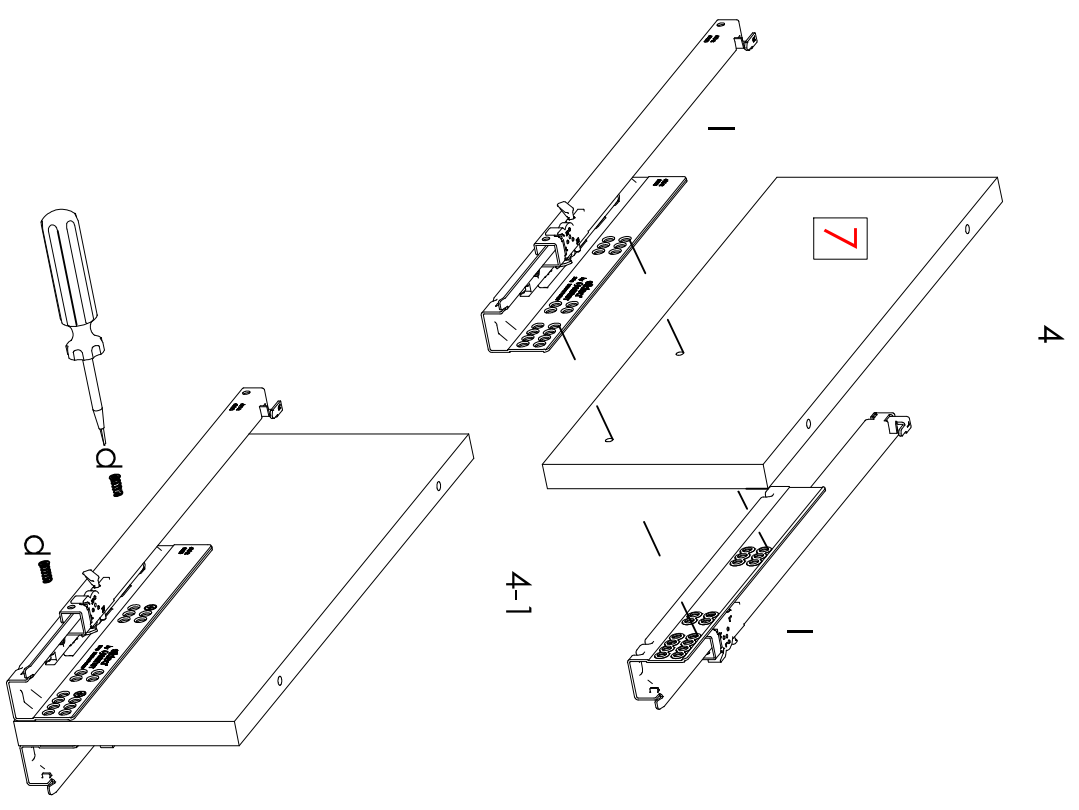
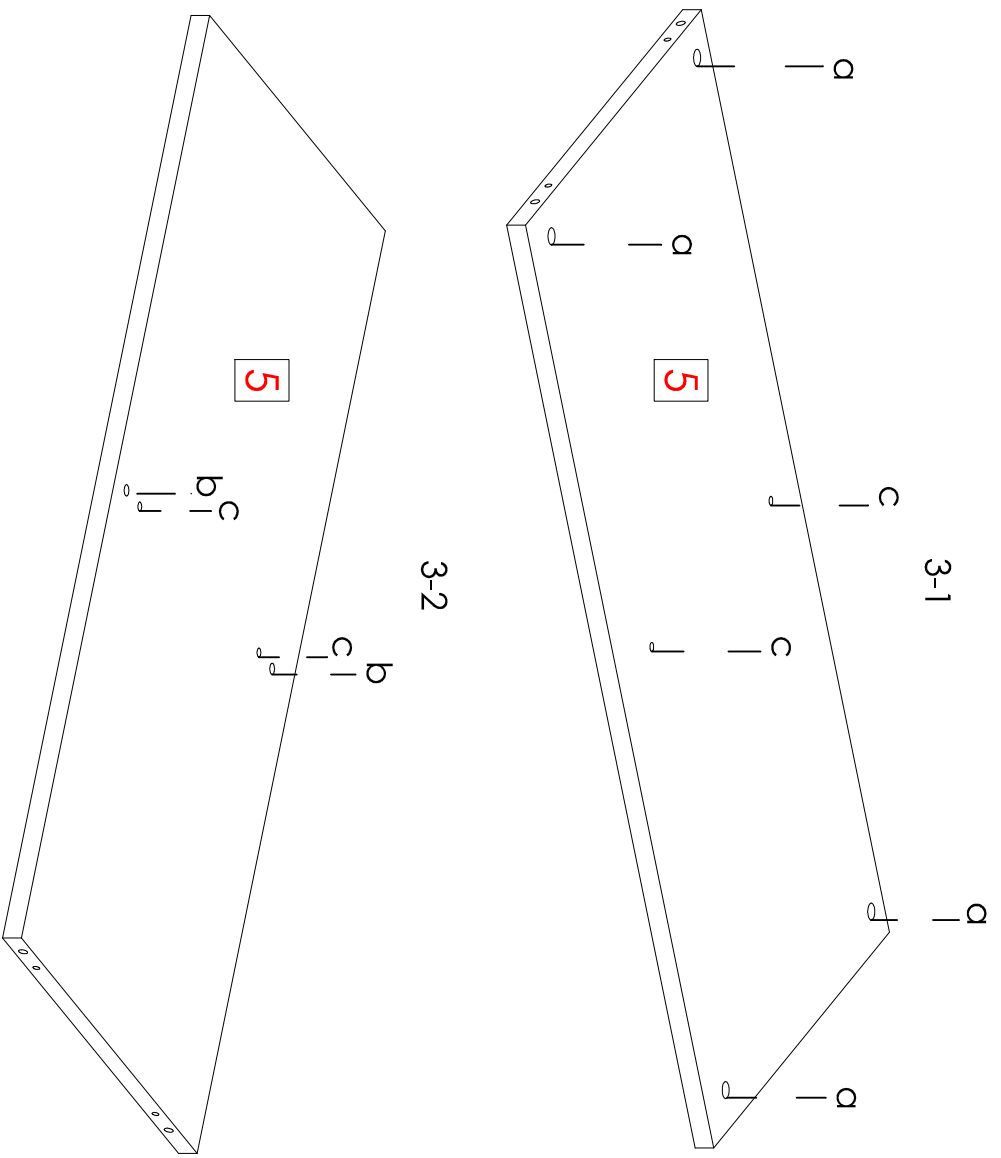


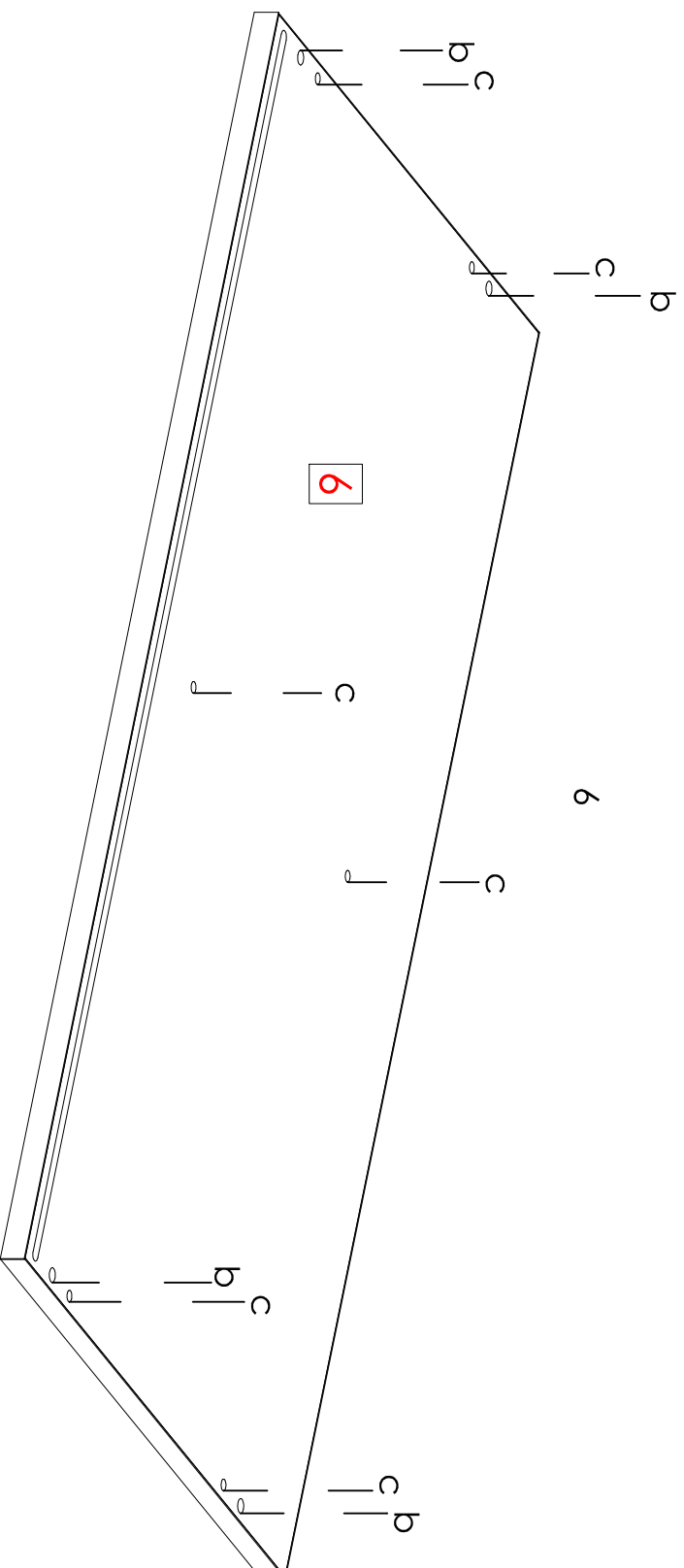
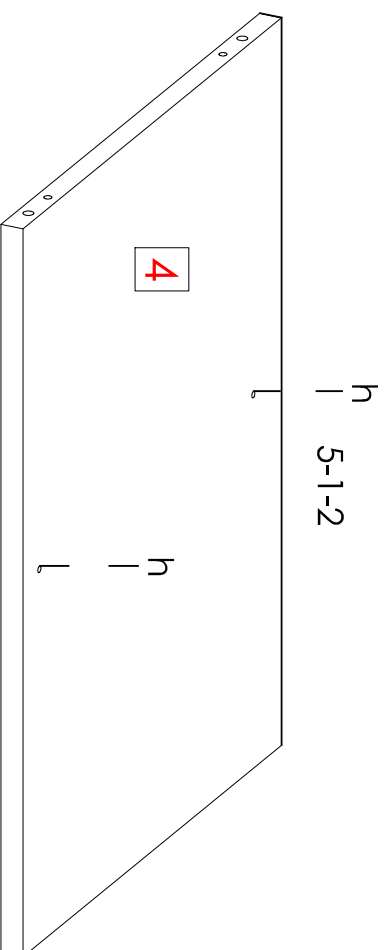
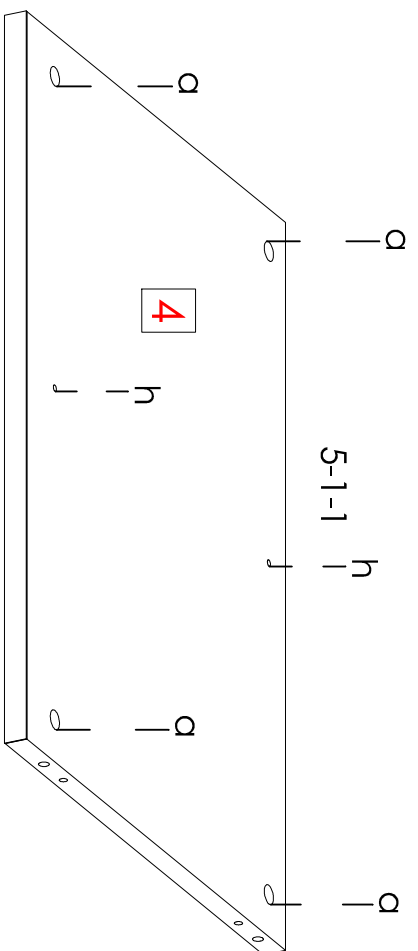
2-1

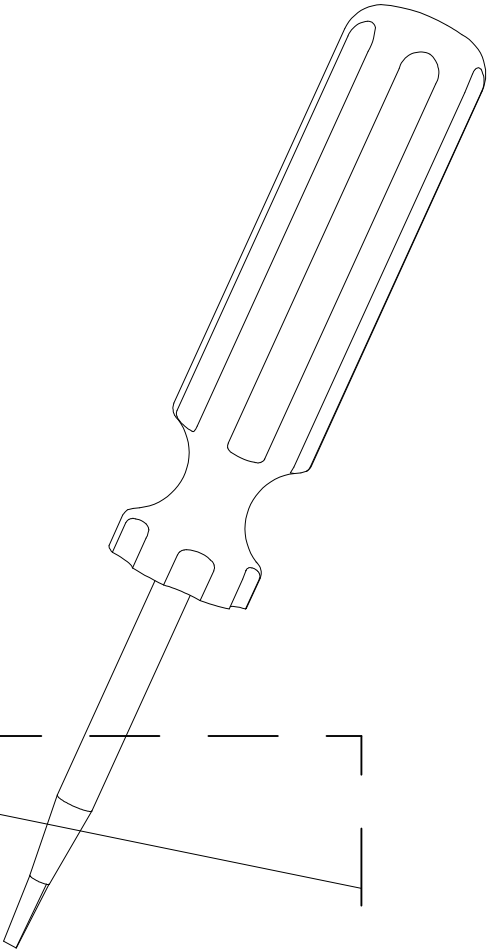


2-1-1

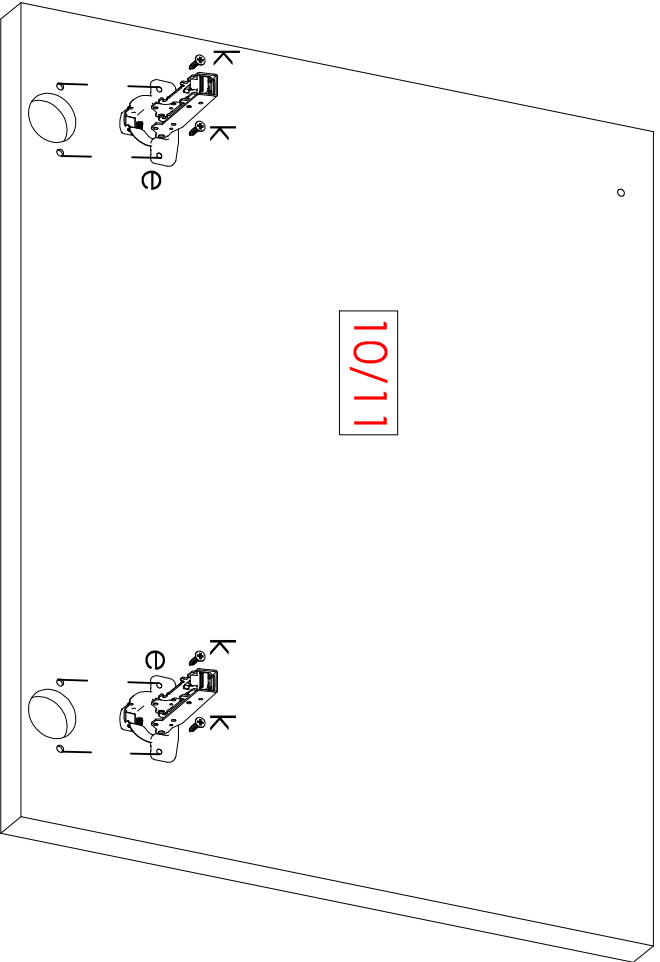




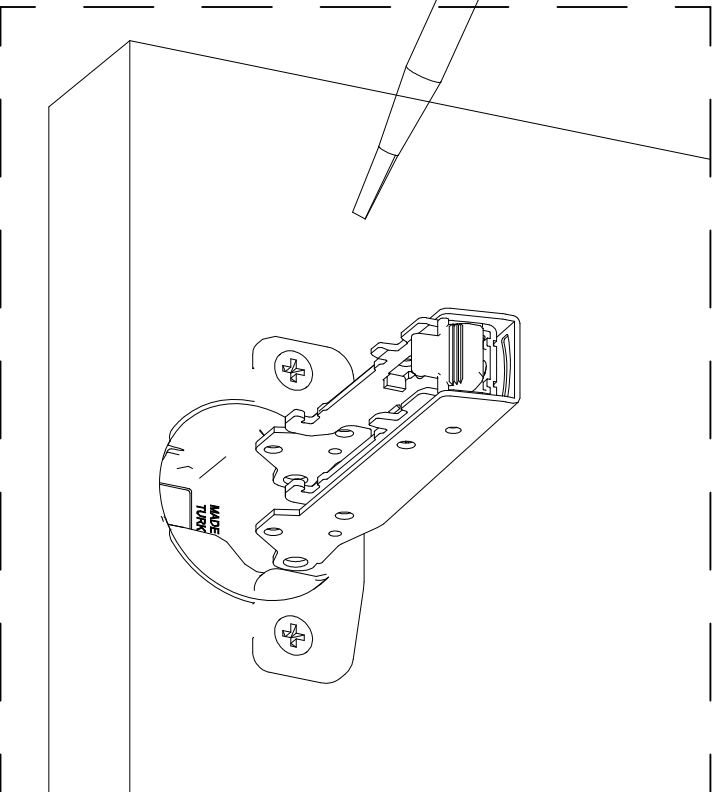




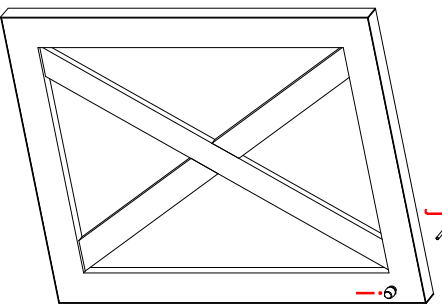
7



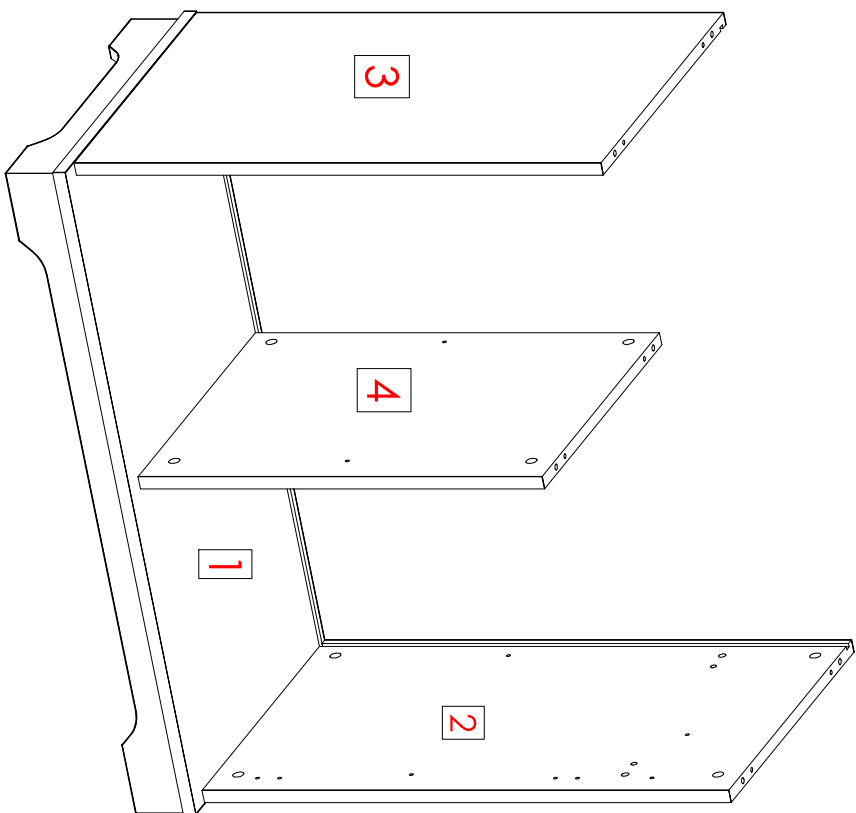
10/11



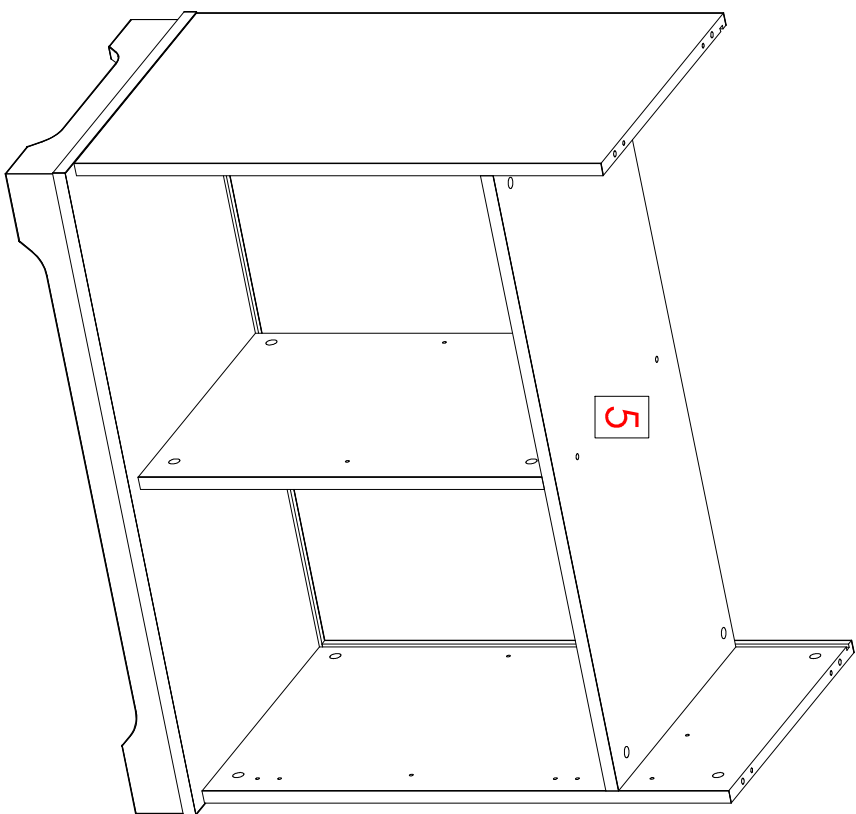
7-1



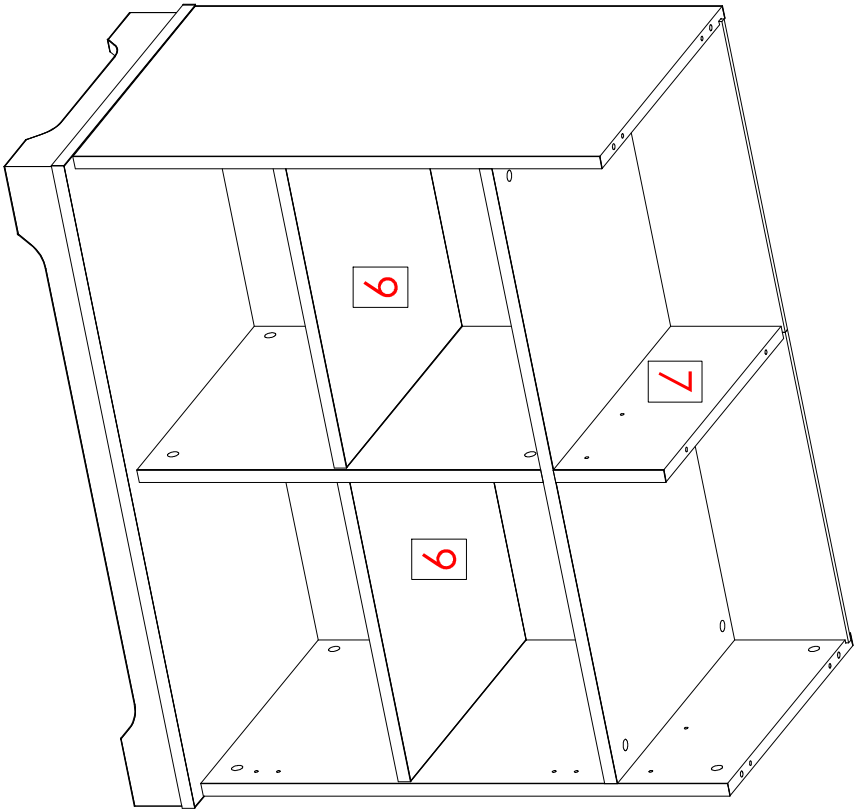
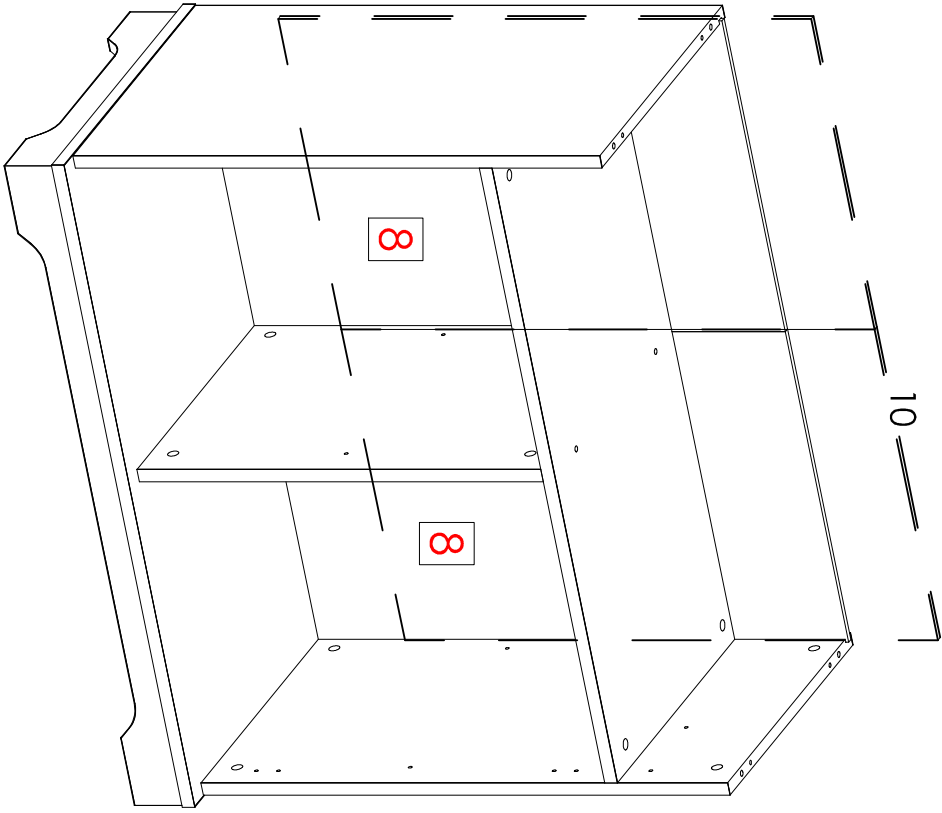
7-2



8



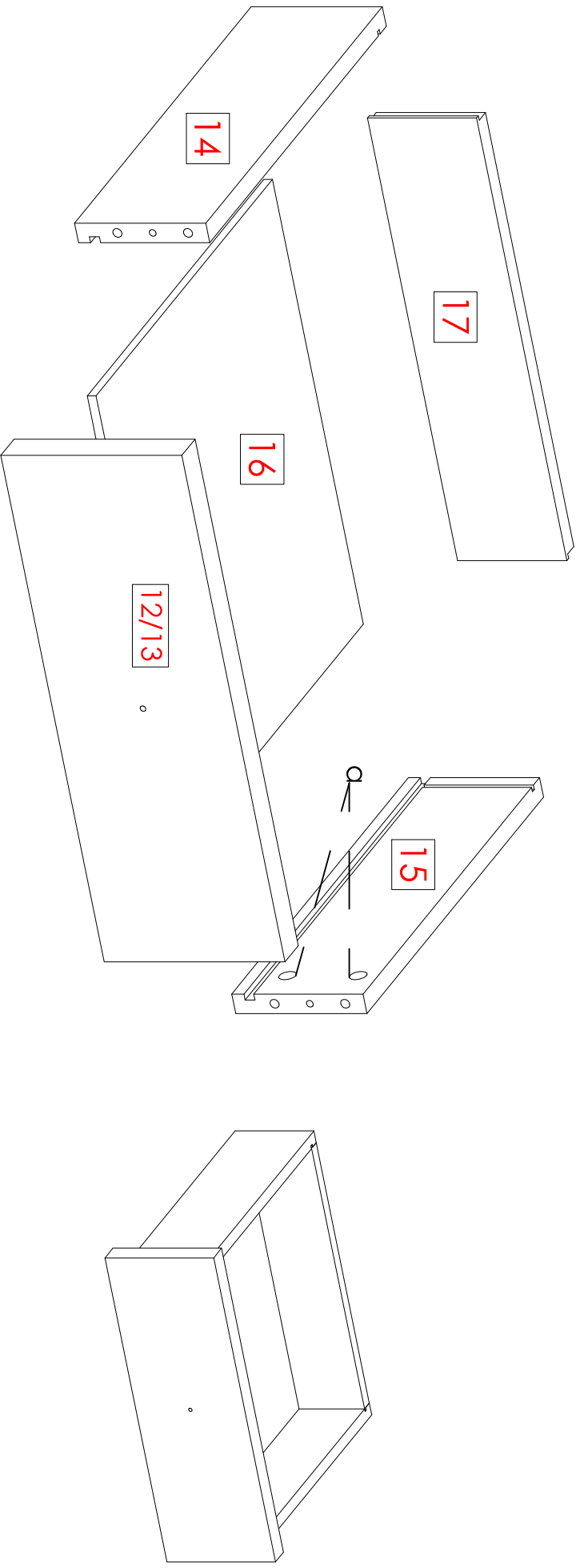
9



11



12-1



12-2

