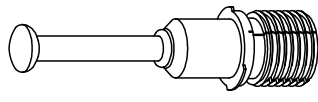


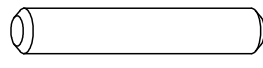
a-28x



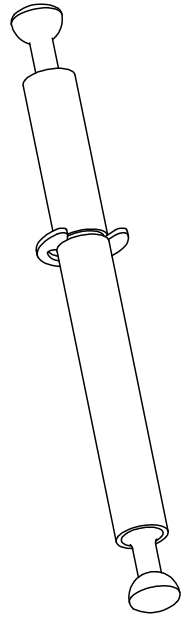
b-24x



c-32x



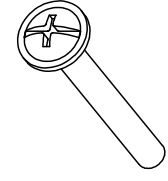
d-2x



e-2x



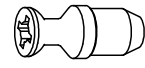
g-2x



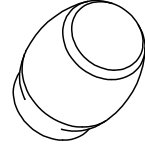
h-8x



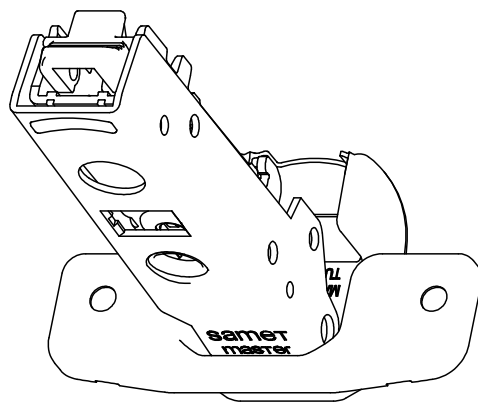
g-18x



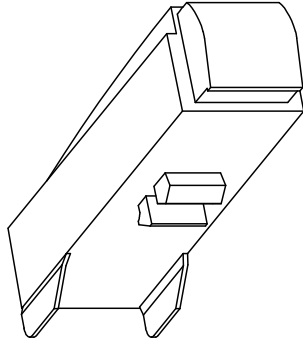
h-4x



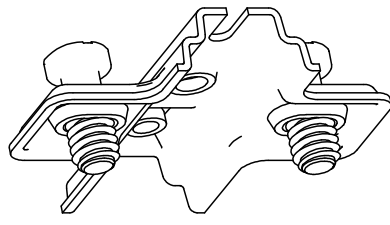
i-4x



j-4x



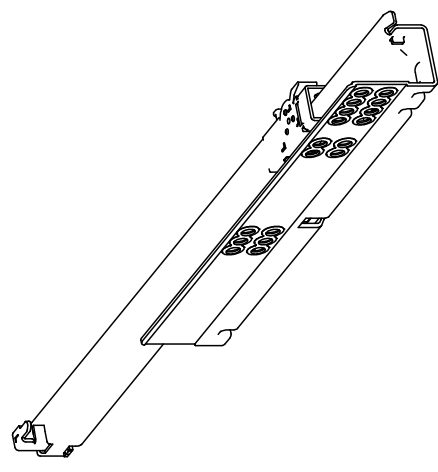
k-4x



l-8x



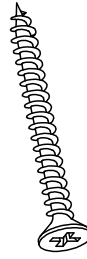
m-2x



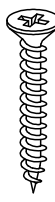
n-8x



n-8x

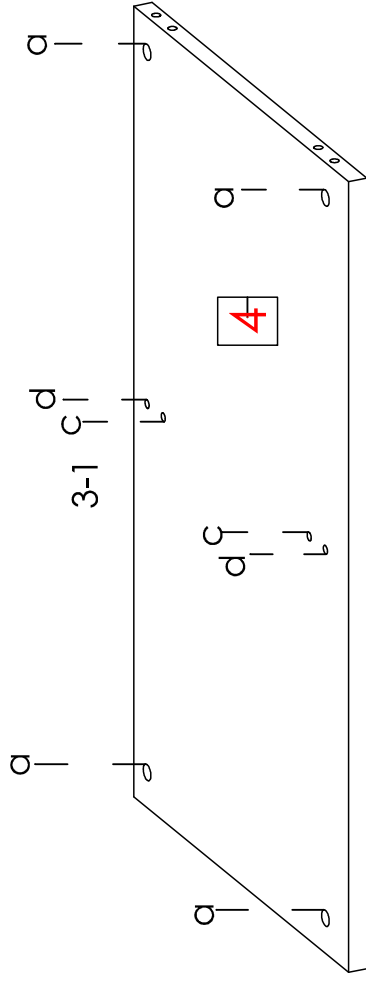
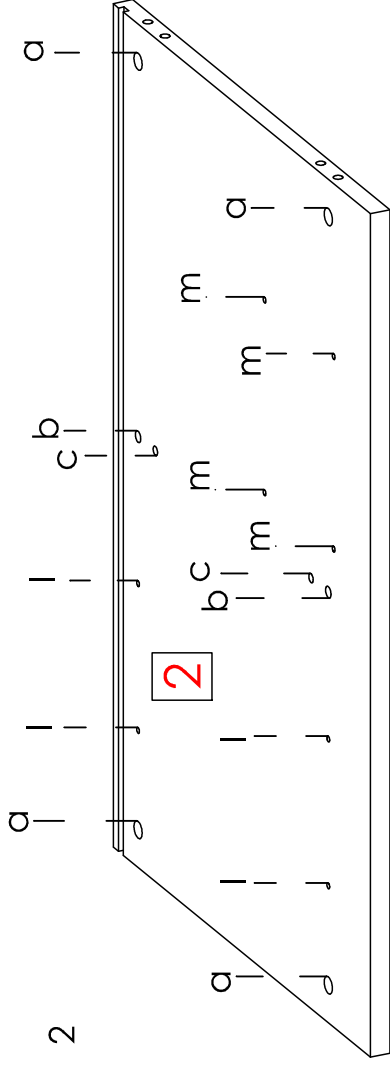
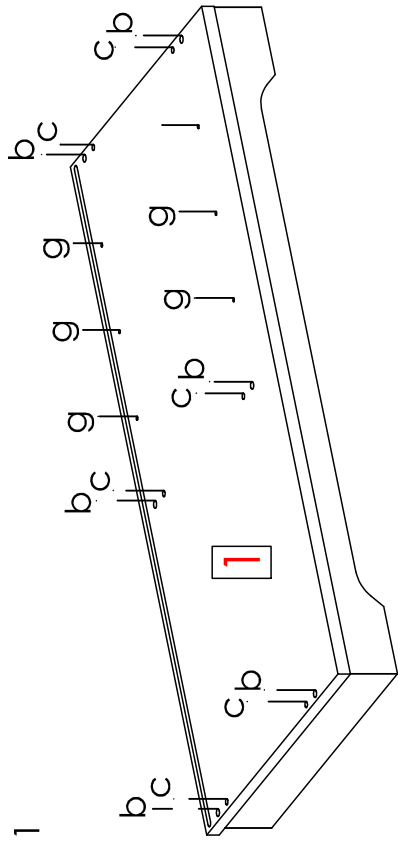


p-4x

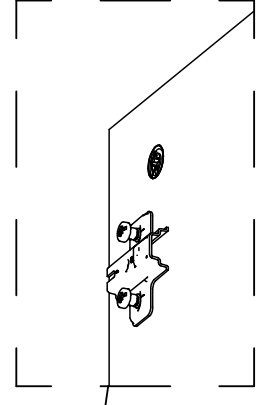
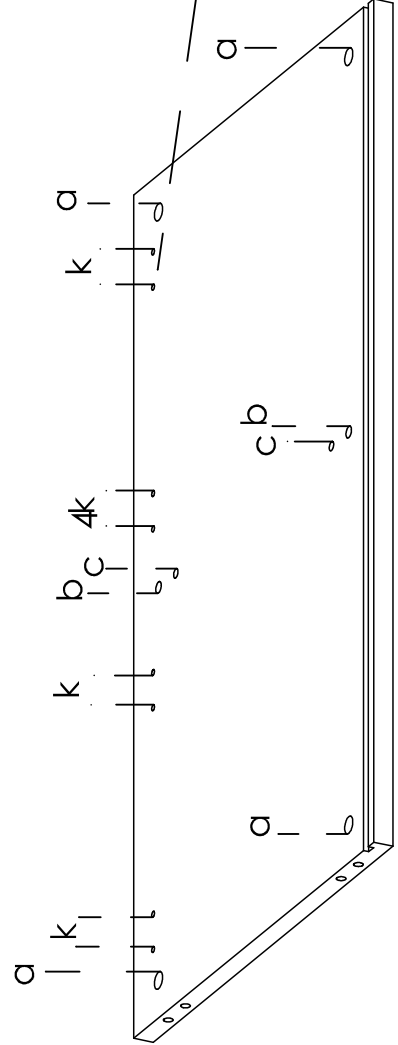
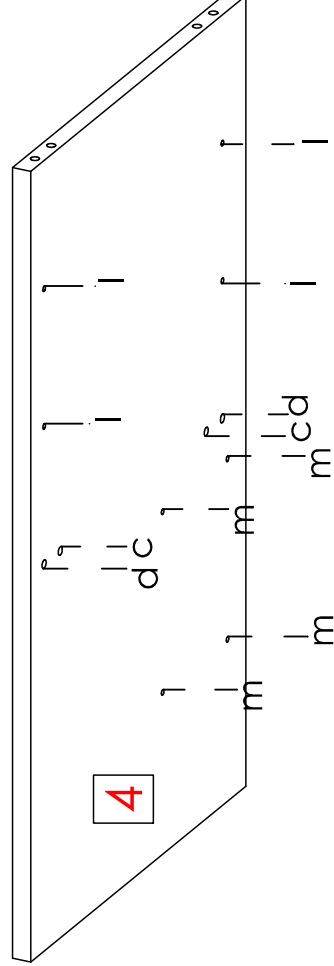


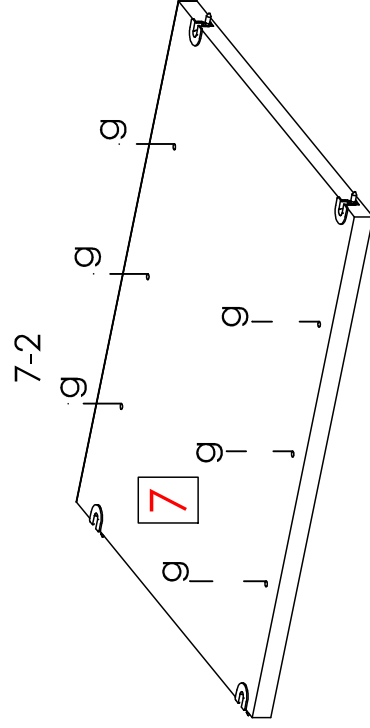
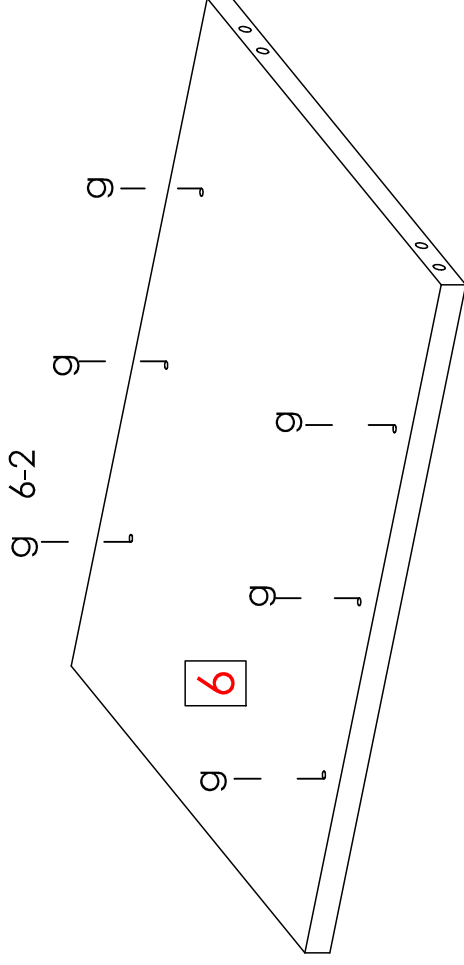
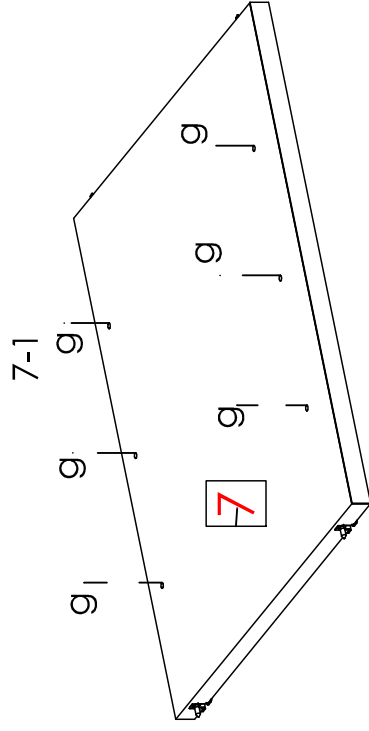
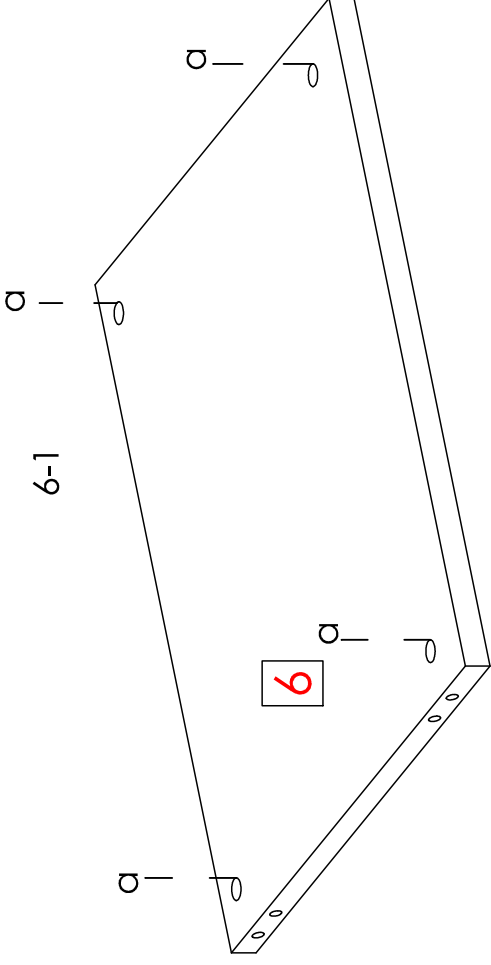
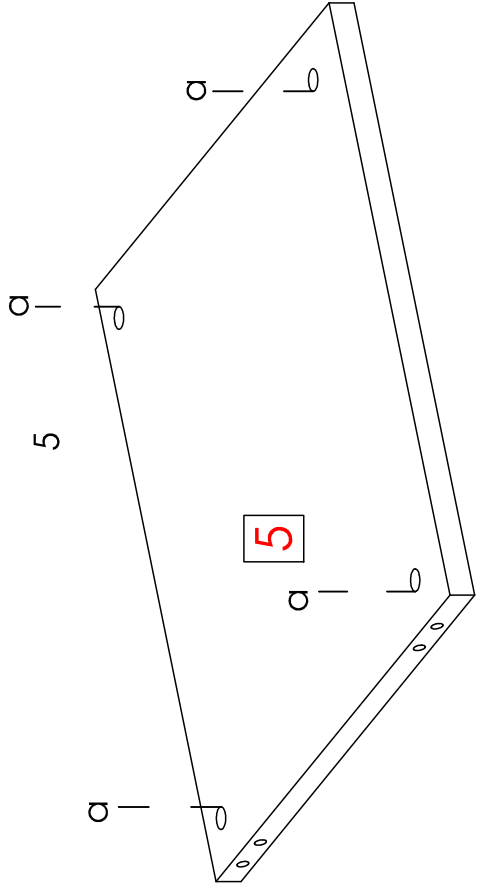
r-24x



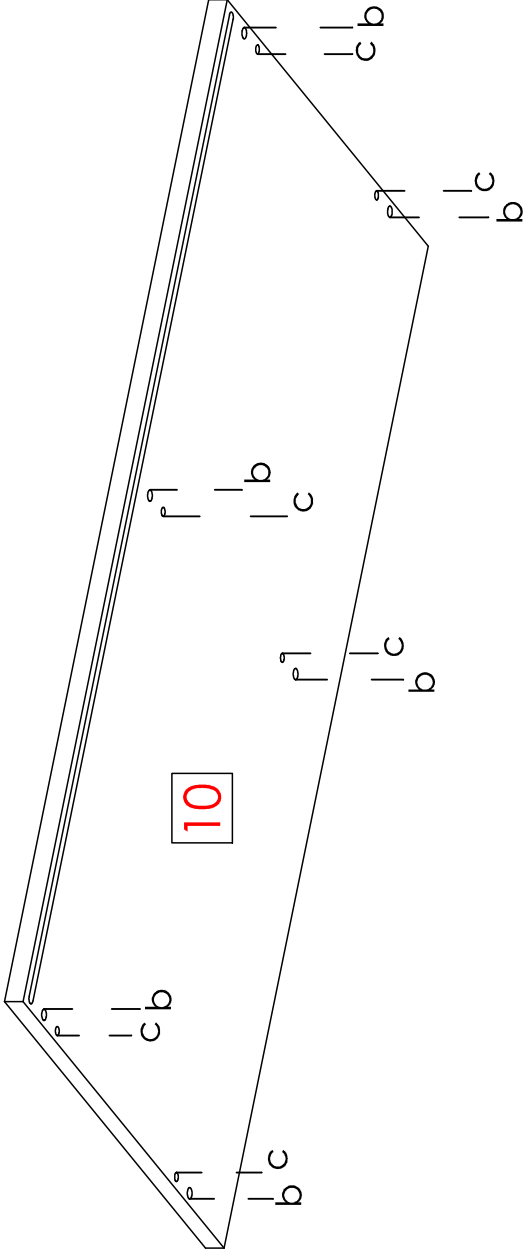


3-2

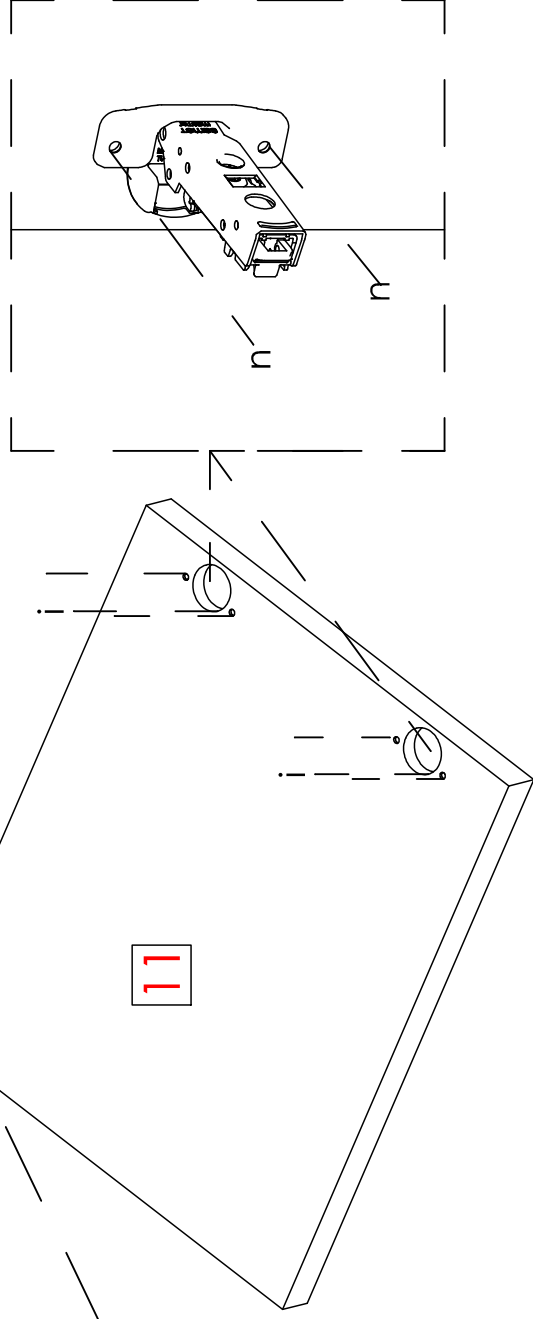
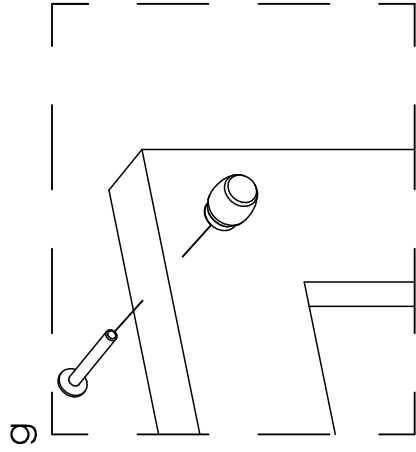




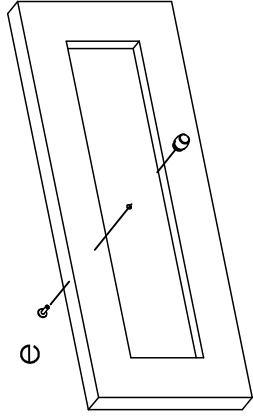
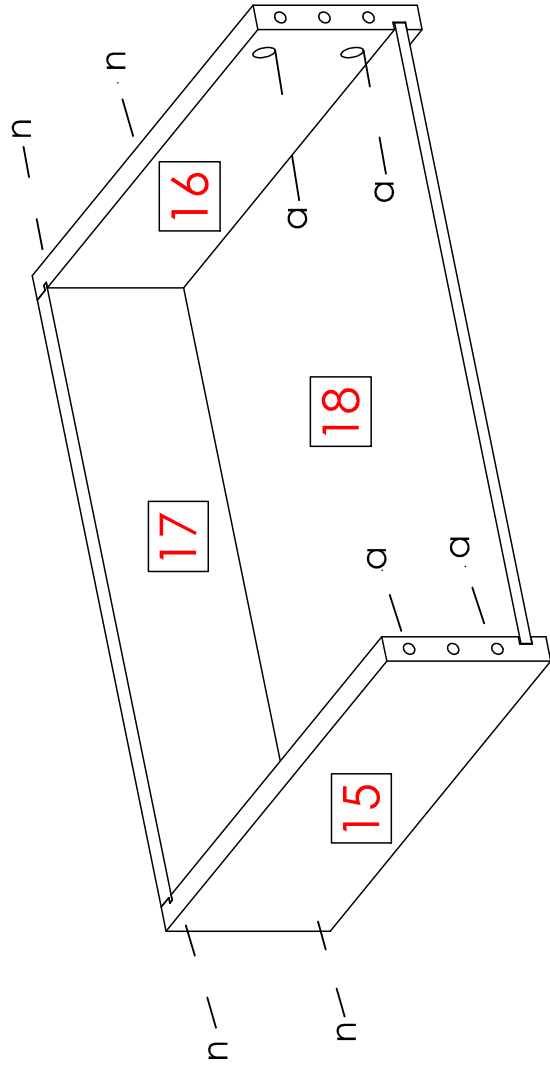
8



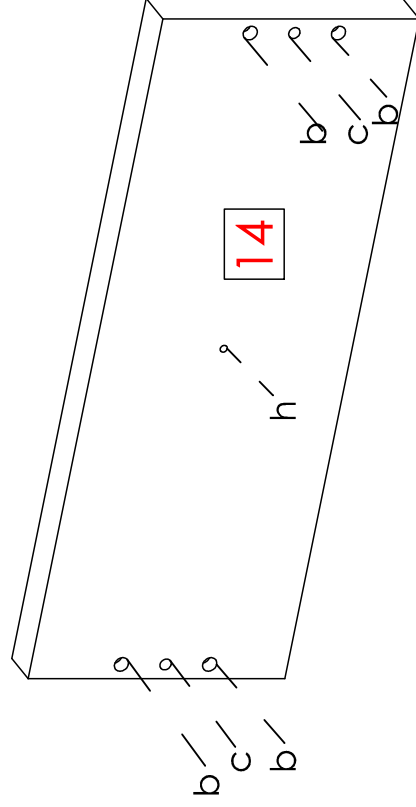
9



10

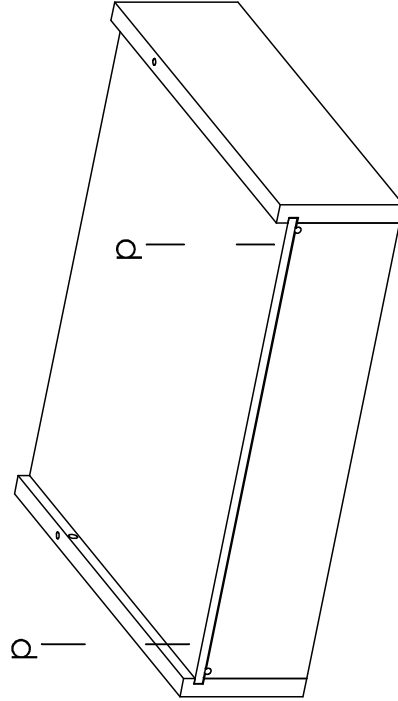


11

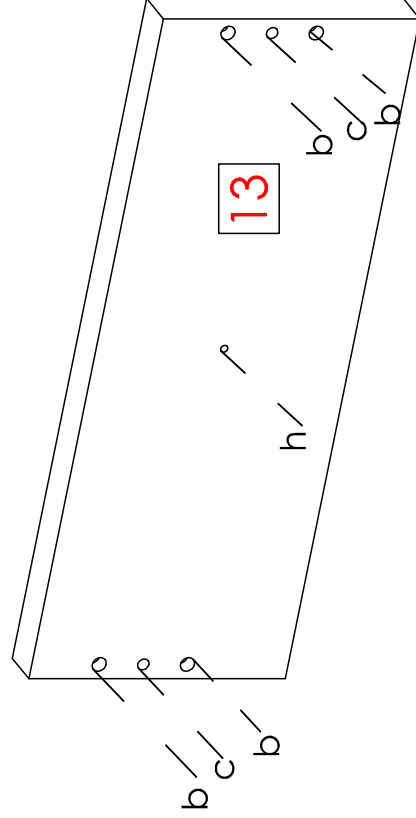


14

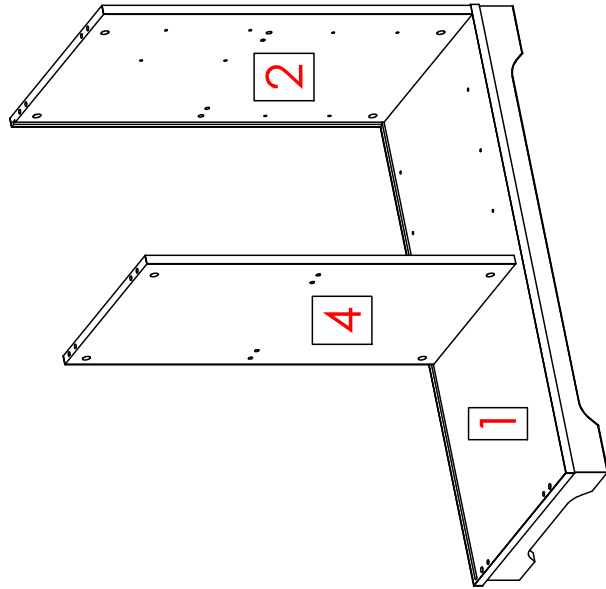
11-1



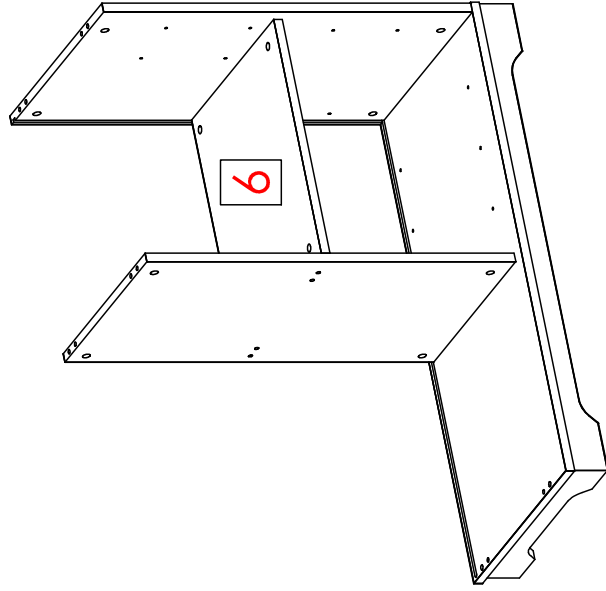
13



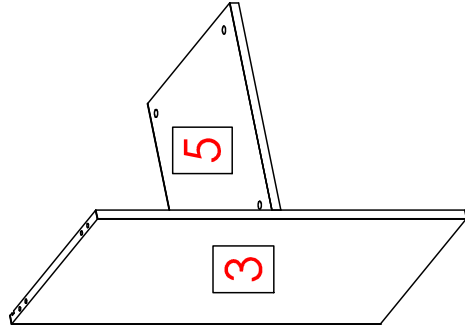
12



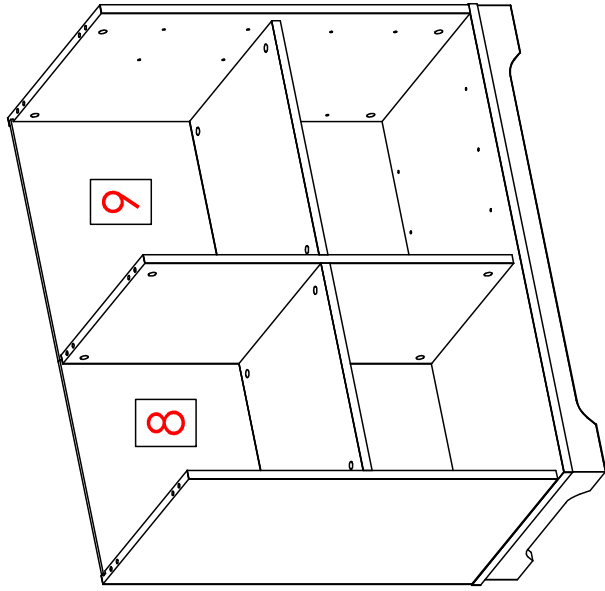
13



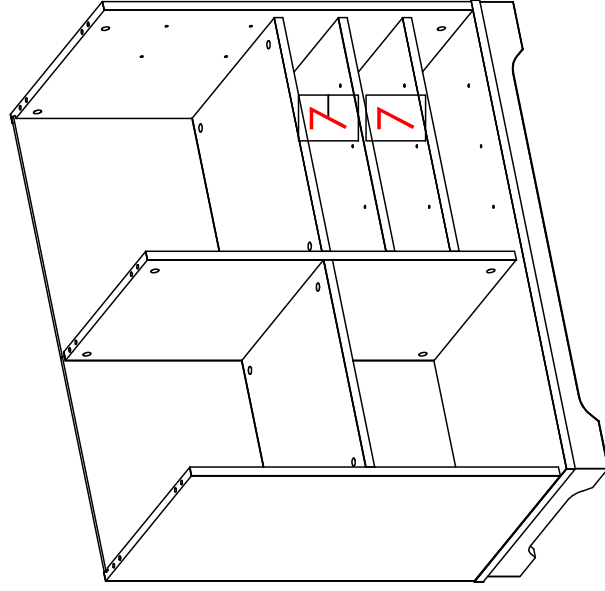
14



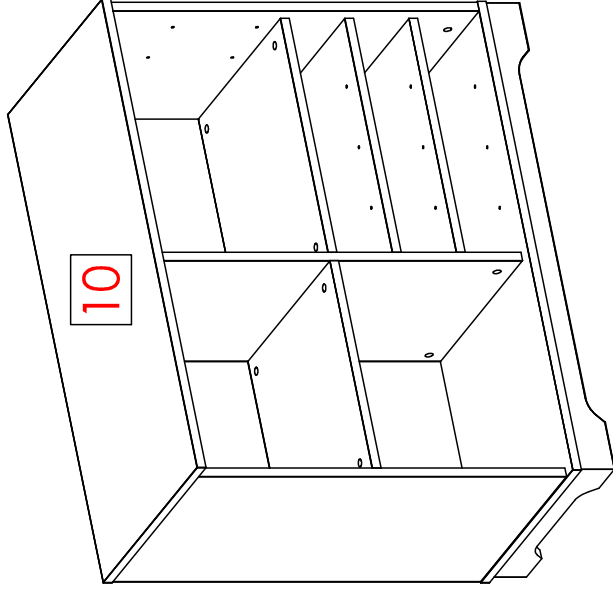
15



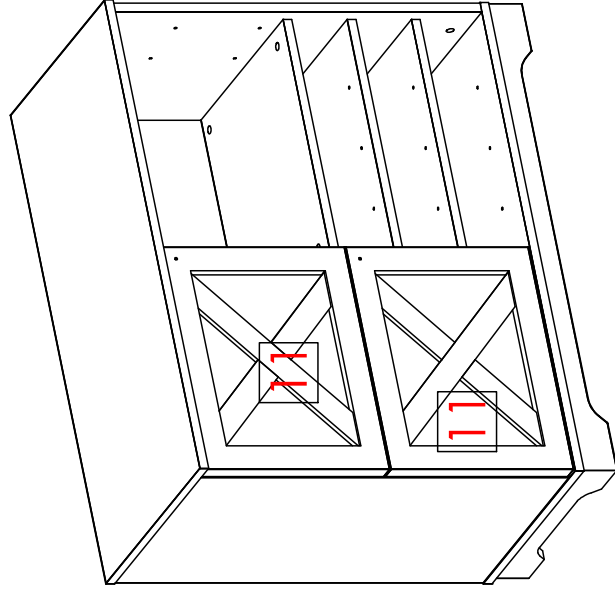
16



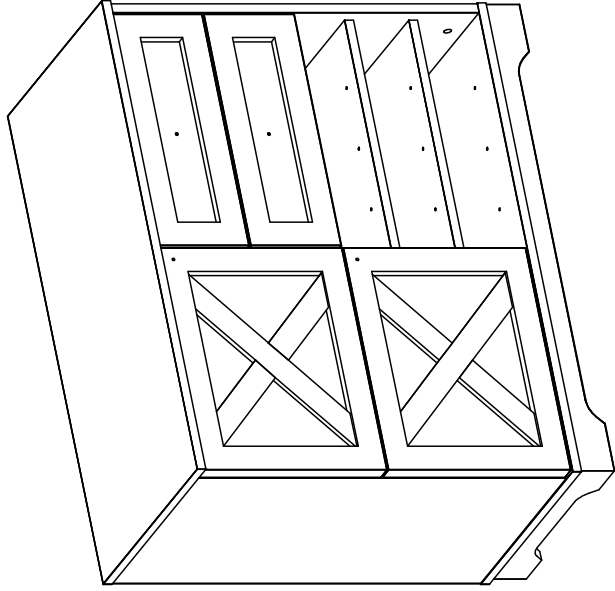
17



18



19



20

