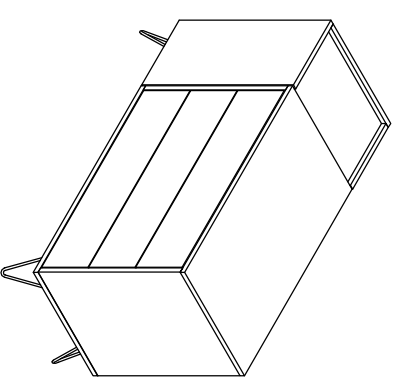
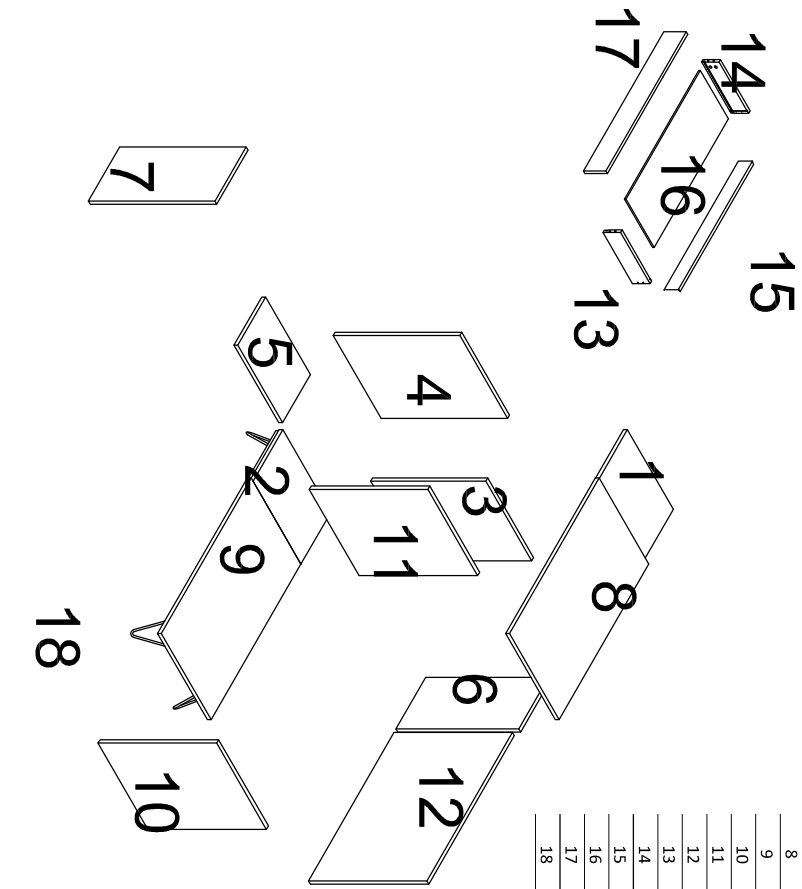


SANTINO CHEST OF DRAWERS
SNT01SF688
SANTINO ŞIFONYER

RV01

TOPLAM KUTU
TOTAL BOXES
COLLI ZAHL
4

NO	KOD/CODE	PARÇA ADI	NAME	ADET/PIECE	KUTU/BOX
1	2SAN001SFY687801	UST TABLA	TOP PANEL	1	2
2	2SAN001SFY687802	ALT TABLA	BOTTOM PANEL	1	2
3	2SAN001SFY687803	SAG YAN TABLA	END PANEL -RIGHT	1	2
4	2SAN001SFY687804	SOL YAN TABLA	END PANEL -LEFT	1	2
5	2SAN001SFY687811	SABIT RAF	FIXED SHELF	1	2
6	2SAN001SFY687816	ARKALIK	BACK PANEL	1	2
7	2SAN001SFY687861	KAPAK	DOOR	1	2
8	2SAN001SFY686841	UST TABLA	TOP PANEL	1	3
9	2SAN001SFY686842	ALT TABLA	BOTTOM PANEL	1	3
10	2SAN001SFY686843	SAG YAN TABLA	END PANEL -RIGHT	1	3
11	2SAN001SFY686844	SOL YAN TABLA	END PANEL -LEFT	1	3
12	2SAN001SFY686846	ARKALIK	BACK PANEL	1	3
13	2SAN001SFY666823	CEKMECE KASASI SAG YAN	DRAWER BOX RIGHT SIDE	3	3
14	2SAN001SFY666824	CEKMECE KASASI SOL YAN	DRAWER BOX LEFT SIDE	3	3
15	2SAN001SFY666834	CEKMECE KASASI ARKA KAYIT	DRAWER BOX BACK PANEL	3	3
16	2SAN001SFY666833	CEKMECE TABANI	DRAWER BASE	3	3
17	2SAN001SFY686828	CEKMECE KLAPASI	DRAWER FRONT	3	3
18	2SANT01SFY215715	AVAK	LEG	1	4

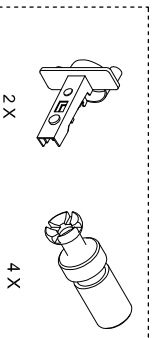
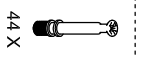
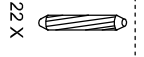
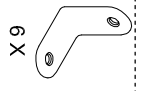
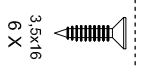
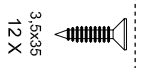
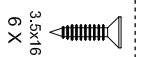
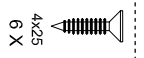
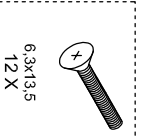
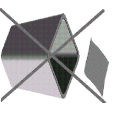
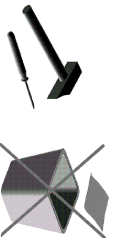


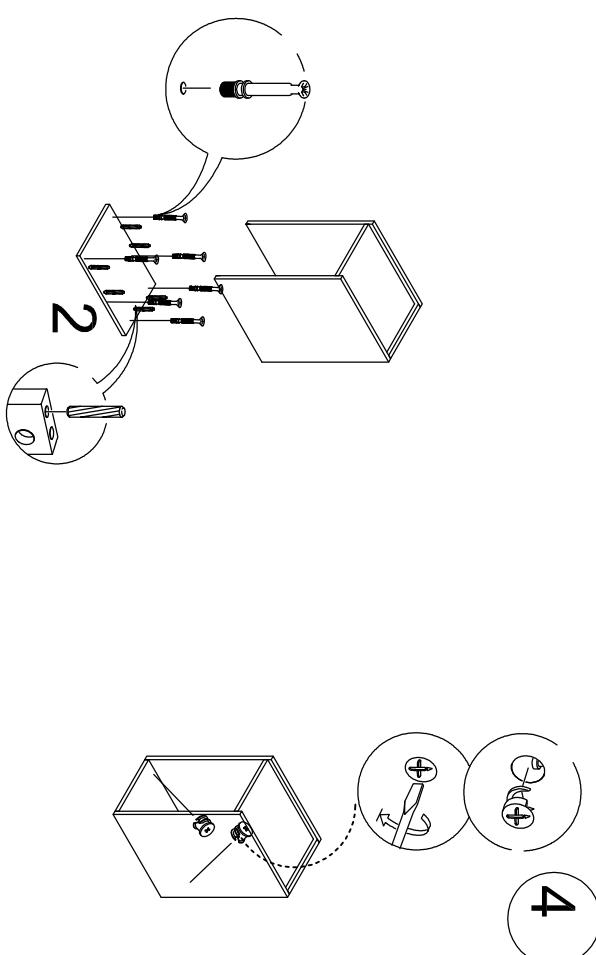
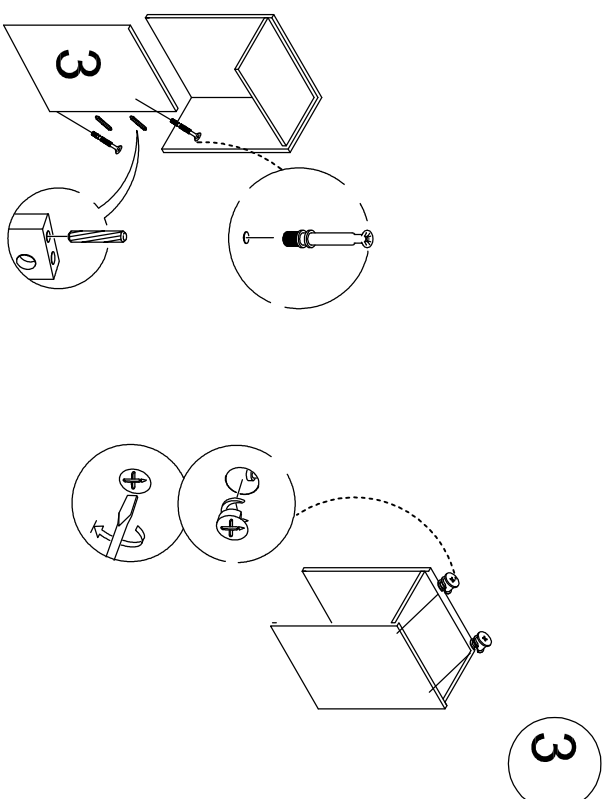
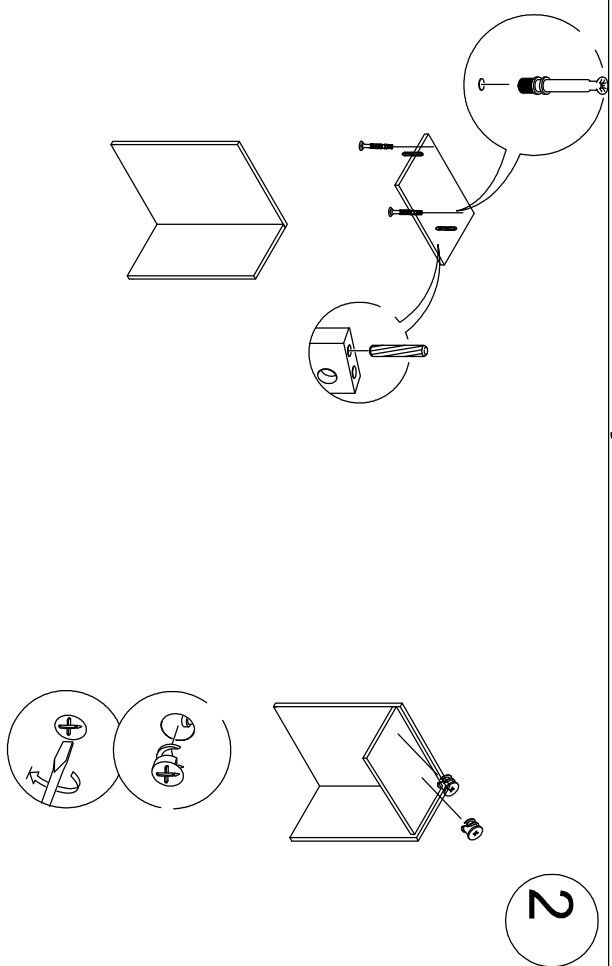
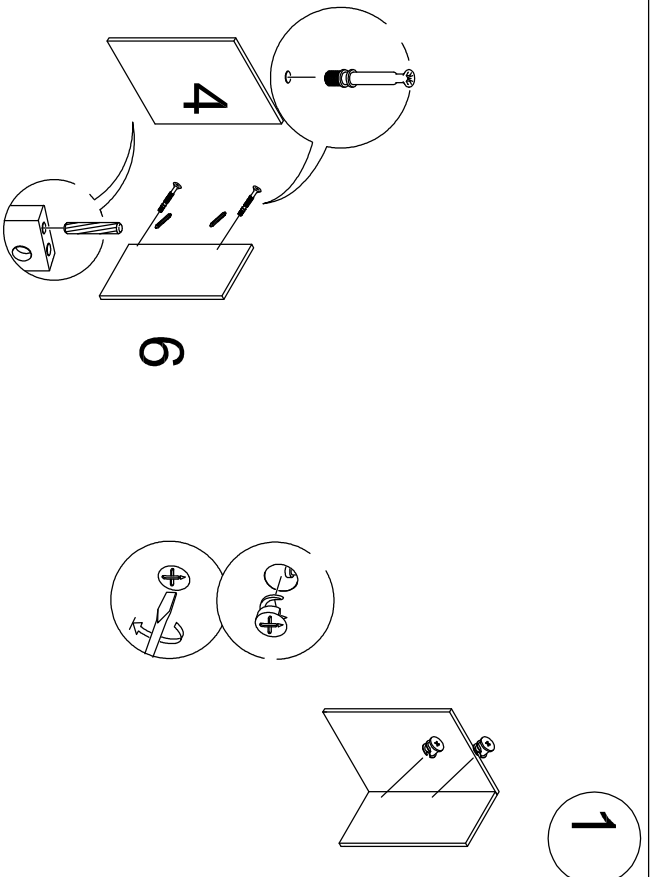
PLEASE RETAIN THE LABEL INFORMATION ON THE PACKAGES. DO NOT START ASSEMBLY IF THERE ARE ANY MISSING ITEMS IN THE PACKAGE.
THE MANUFACTURER IS NOT RESPONSIBLE FOR ANY DAMAGES THAT MAY BE INCURRED DURING THE ASSEMBLY PROCESS AND LATER ON DUE TO THE MISUSE OF BUYERS.
KOLLUZERİNDEKİ ETİKET BİLGİLERİNİ SAKLAYINIZ KOLLUÇERİNİNDE EKŞİK PARÇAYA WARSALUFTEN MONTAJA BAŞLAYINIZ.
MONTAJESNASINDAVE DAHA SONRAKULLANICI HATLARINDAN DOĞRUKAKHASARLARDA ÜRETCİ FİRMA SORUMLU DEĞİLDİR.

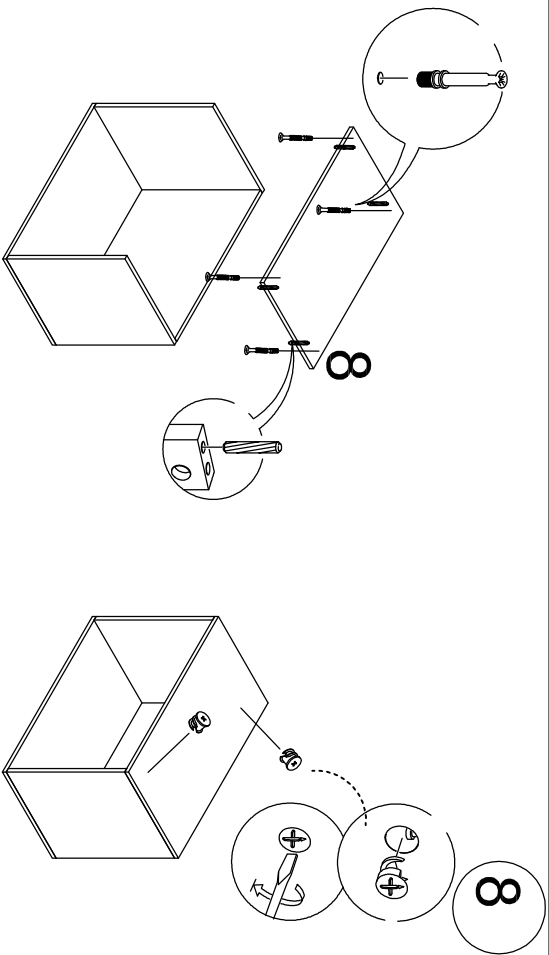
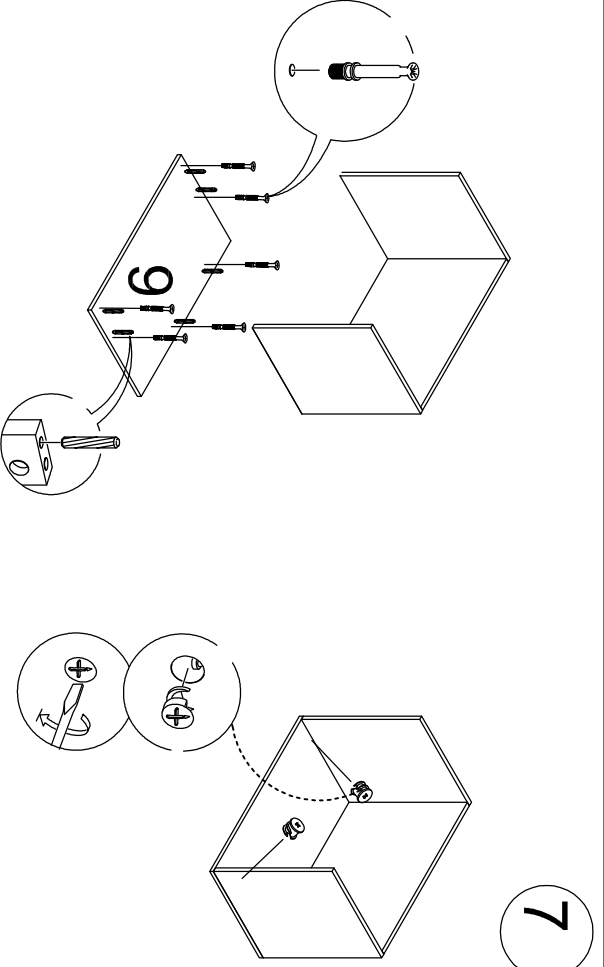
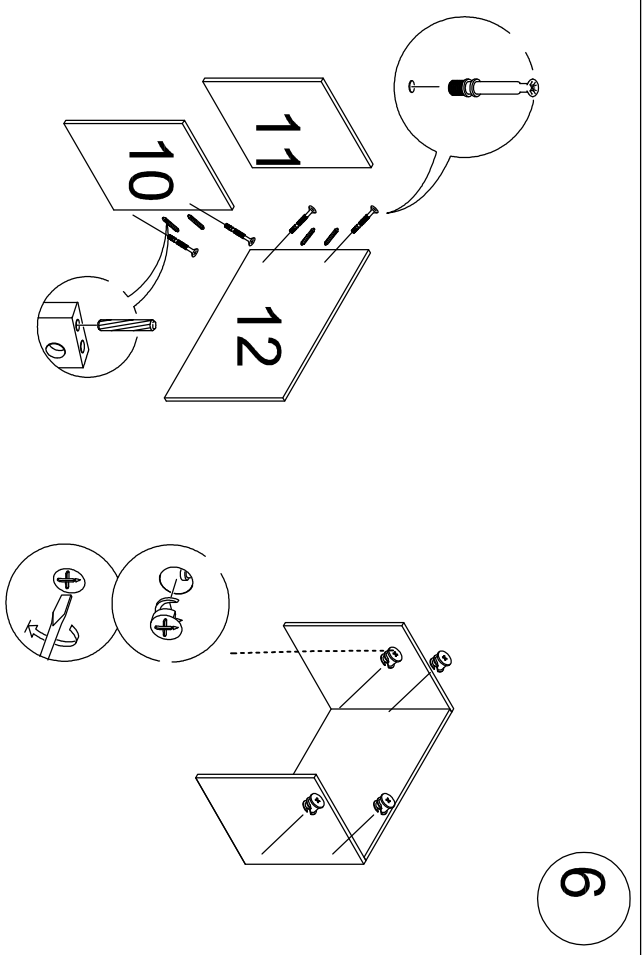
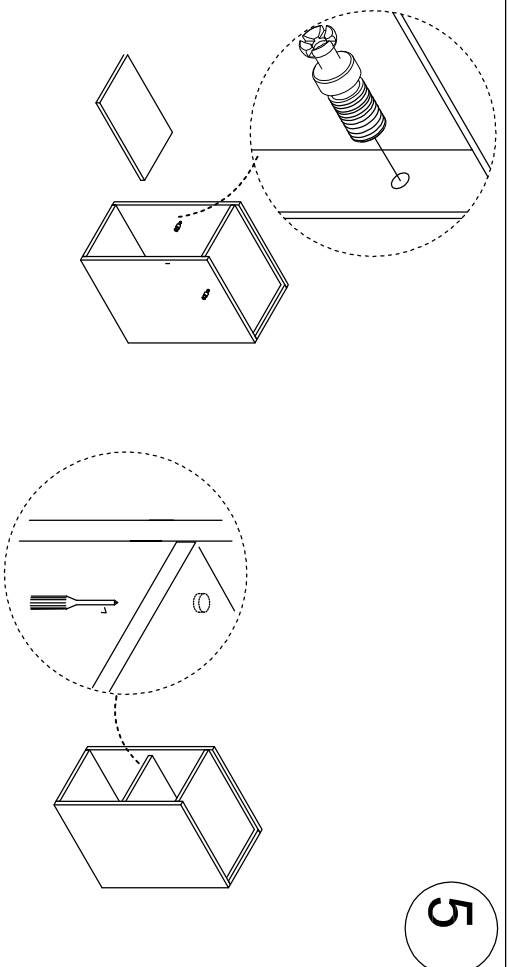


444 6 999

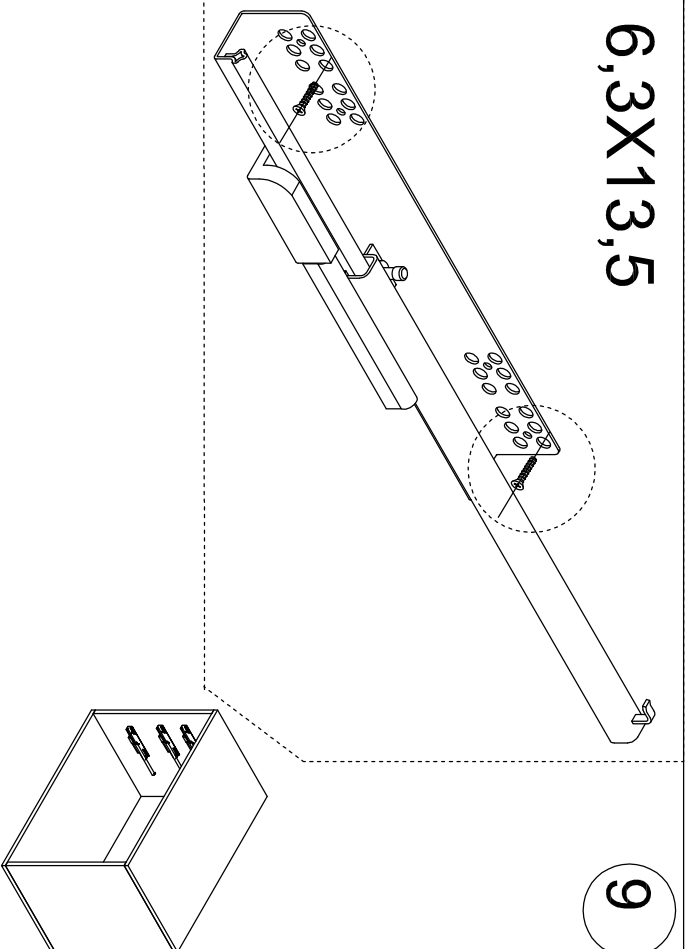
Toll-free information line only
for domestic calls-Türkiye



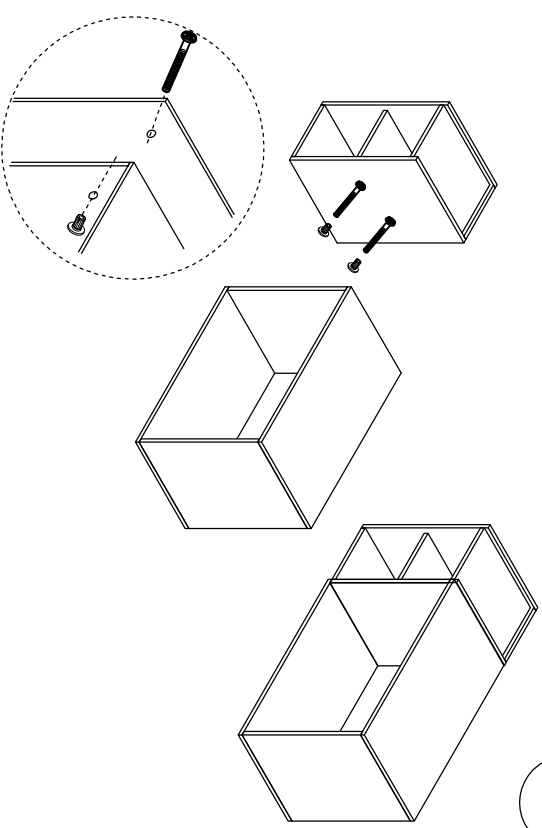




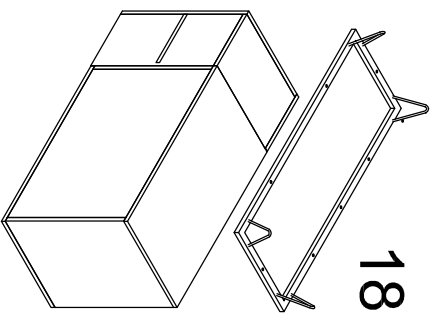
6,3X13,5



9

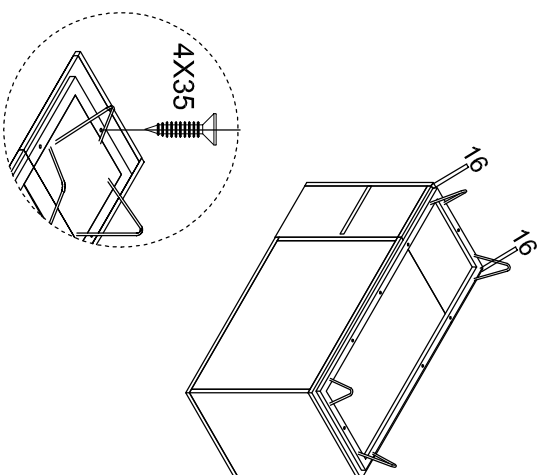


10

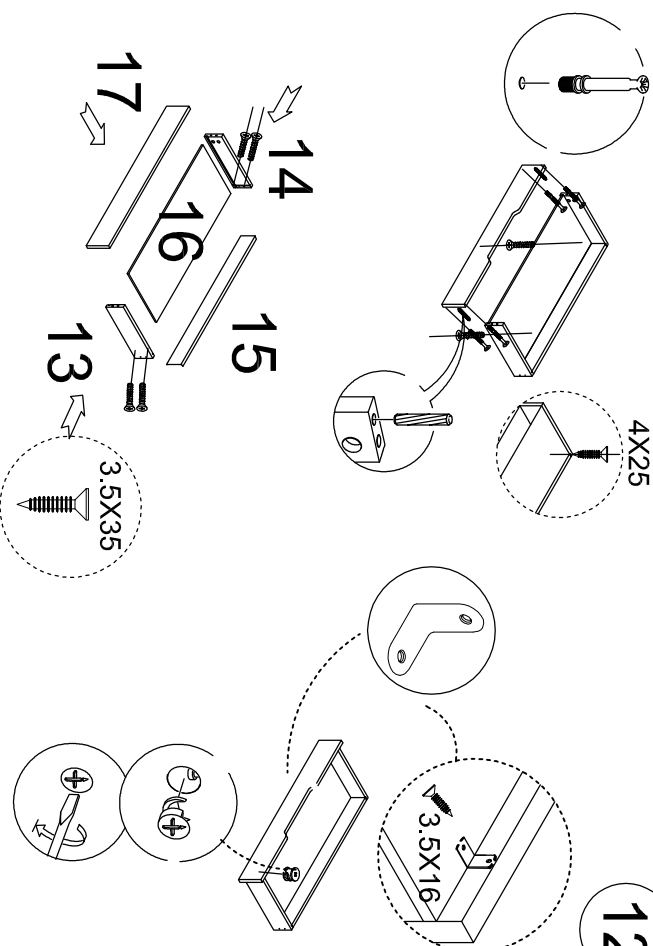


11

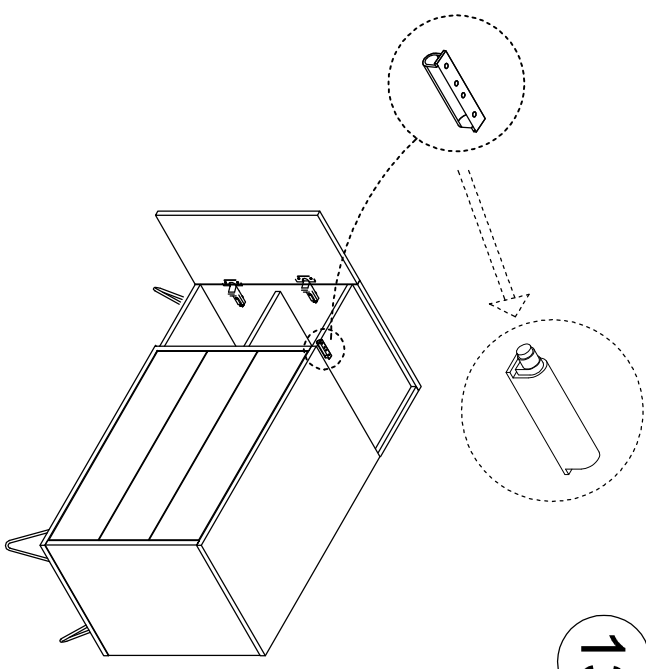
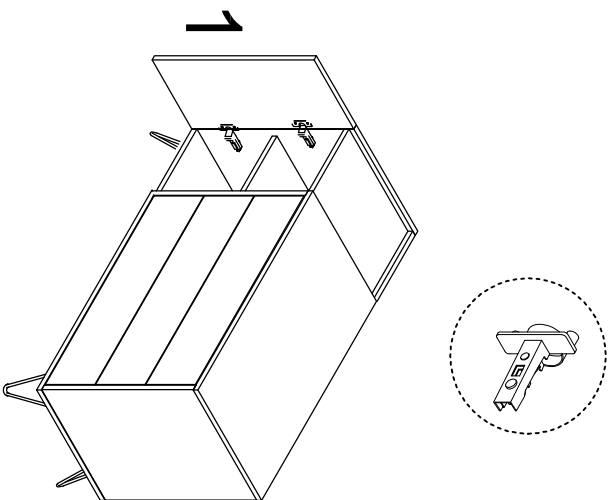
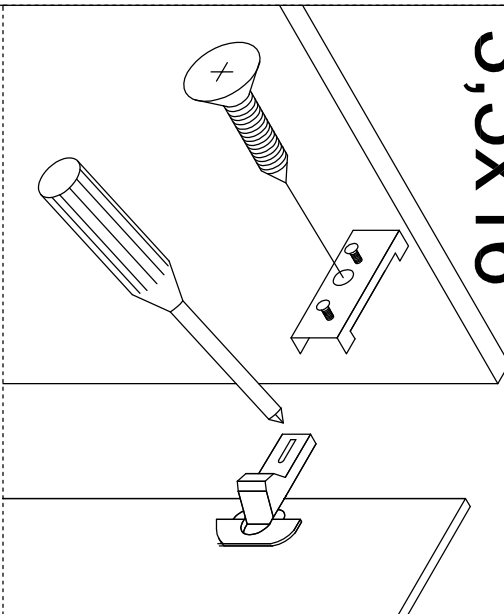
11



12



3,5X16



DUVAR (WALL)

5X80

